

ARDUINO NANO V3

Compatible to Arduino microcontroller and with original chip

1. GENERAL INFORMATION & SAFETY INSTRUCTIONS

Dear customer,

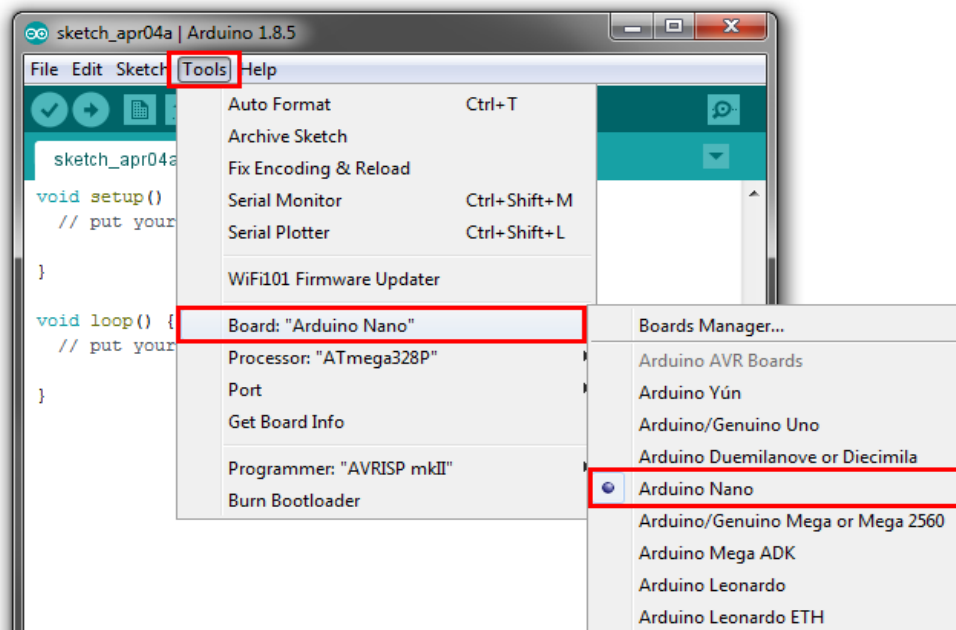
thank you for choosing our product. In the following, we will show you how to use your product. Should you encounter any unexpected problems during use, please do not hesitate to contact us.

2. INSTALLATION

To use the Arduino Nano, you first need the appropriate Arduino software. This is available through the following link:

www.arduino.cc/en/Main/Software

Download and install the software package (Arduino IDE). After you have started the software, it must be adjusted to the board. Open the „Tools“ tab and select the „**Arduino Nano**“ board under „Boards“.



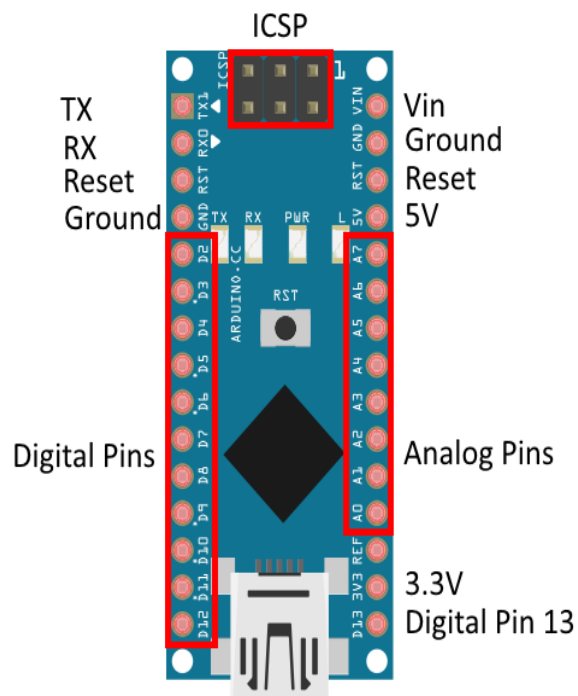
3. USAGE

The software is now configured and ready to use. Now connect your Arduino Nano to your computer with a mini USB cable.

Should your Arduino Nano V3 not be detected, select the option „**ATmega328P (Old Bootloader)**“ under the tab „**Tools**“, „**Processor**“.

To check the basic functions of the board, you can transfer a short example program to your Arduino Nano. Select the „**Examples**“ menu on the „**File**“ tab and the „**Blink**“ example under „**01.Basics**“. Transfer this program to your Arduino. It will activate the built-in LED, which is connected to digital pin 13, and switch it on and off repeatedly.

All important interfaces are also marked here:



4. ADDITIONAL INFORMATION

Our information and take-back obligations according to the German Electronic Law (ElektroG)



Symbol on electrical and electronic products:

This crossed-out bin means that electrical and electronic products do not belong into the household waste. You must hand over your old appliance to a registration place. Before you can hand over the old appliance, you must remove used batteries and replacement batteries which are not enclosed by the device.

Return Options:

As the end user, you can hand over your old appliance (which has essentially the same functions as the new one bought with us) free of charge for disposal with the purchase of a new device. Small devices, which do not have outer dimensions bigger than 25 cm can be handed in for disposal independently of the purchase of a new product in normal household quantities

Possibility of return at our company location during our opening hours:

SIMAC Electronics GmbH, Pascalstr. 8, D-47506 Neukirchen-Vluyn

Possibility of return nearby:

We will send you a parcel stamp with which you can send us your old appliance free of charge. For this possibility, please contact us via e-mail at service@joy-it.net or via telephone.

Information about package:

Please package your old appliance safe for transport. Should you not have suitable packaging material or you do not want to use your own material, you can contact us and we will send you an appropriate package.

6. SUPPORT

We are also there for you after your purchase. If any questions remain open or problems arise, we are also available by e-mail, telephone and ticket support system.

E-Mail: service@joy-it.net

Ticket-System: <http://support.joy-it.net>

Phone: +49 (0)2845 98469 – 66 (10 - 17 clock)

For more information visit our website:

www.joy-it.net