

SMALL BUTTONS WITH DIFFERENT MICROSWITCHES

momentary / latching with green / red LED light



Our small latching / momentary steel button convinces you with high-quality materials, protection classes, and ergonomics. It is made of stainless steel and meets the protection classes IP67 (dust and water), IK10 (impact), and PA66 (flame). The protection classes, wide temperature range, and durability make our steel probe suitable for many applications. The steel push button has a bright LED ring (green / red).

Due to the concave design of the surface, there are no sharp edges. Its small size allows completely new uses than its bigger brothers.

The scope of delivery already includes the necessary connection cable, socket, sealing ring, and nut.

MAIN FEATURES

Key and shell material	Stainless steel
Pin material	H65 silver- / gold-plated
Key depth	3.5 mm
Operation mode	Momentary or latching
Protection level	IP67 and IK10
Special feature	High-luminous LED (green / red)
Dimensions of mounting	Ø 12 x ≤7.5 mm
Overall dimensions	Ø 11.9 x 26.5 mm
Items delivered	Button, 5x 150 mm cables

FURTHER SPECIFICATIONS

Rated load	0.5 A / 250 V AC 100000x 8 A / 250 V AC 30000x 20 A / 250 V AC 10000x
LED voltage	5 - 24 V DC
LED life	40 000 h
Connections	2x NO, LED+, LED-
Insulation resistance	≥ 1000 MΩ
Breakdown voltage	2000 V AC min.
Contact resistance	≤ 50 mΩ
Nut torque	5 - 14 Nm
Connector material	Flame retardant PA66
Environment temperature	-30 to 80°C

FURTHER DETAILS

Article No.	Button12E-01 (latching & green) Button12E-02 (latching & red) Button12E-03 (momentary & green) Button12E-04 (momentary & red)
EAN	4250236825021 (Button12E-01) 4250236825038 (Button12E-02) 4250236825045 (Button12E-03)

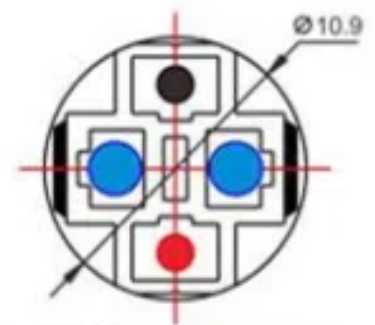
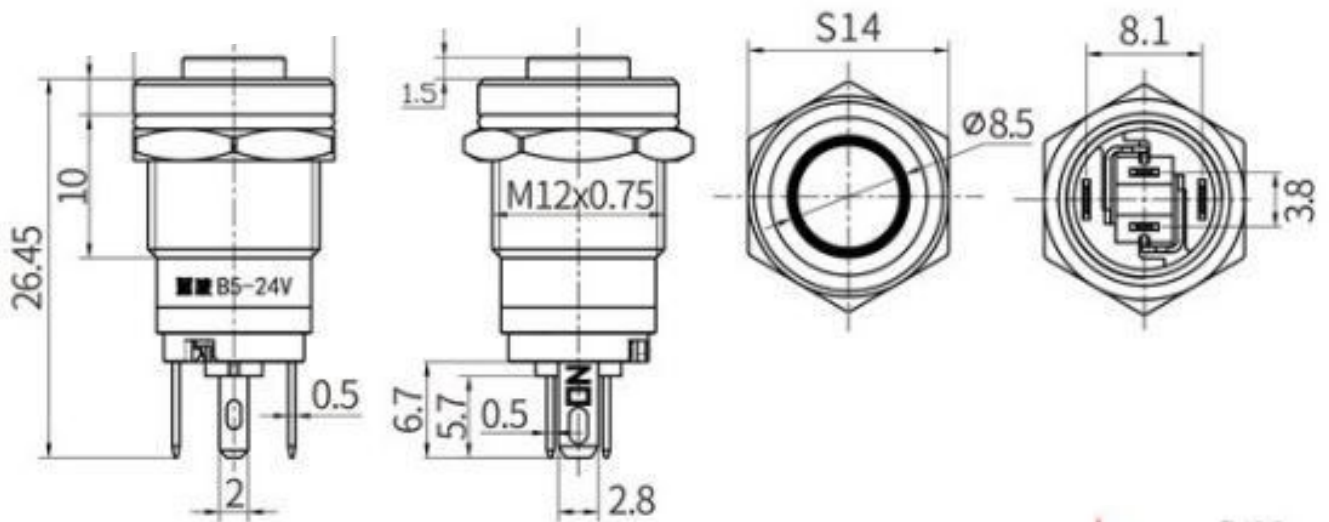
Customs tariff No.	8536 50 11 90
--------------------	---------------



ATTENTION!

Work on voltages above 60 V is reserved for qualified electricians. There is a risk of electric shock, which can cause serious injury or death.

SCHEMATIC DIAGRAM



1mm² Blue wire (NO)
 0.3mm² Black wire (LED-)
 0.3mm² Red wire (LED+)

