

BUTTON WITH MICROSWITCH

momentary / latching button with green / red LED light



Our small steel momentary / latching button impresses with its high-quality materials, protection classes and ergonomics. It is made of stainless steel and complies with protection classes IP65 (dust and water), IK10 (impact) and PA46 (flame). The protection classes, wide temperature range and durability make our button suitable for many applications. The button has a bright LED ring (green / red).

The concave design of the surface means there are no sharp edges. Its small size allows it to be used for completely new purposes than its larger brothers.

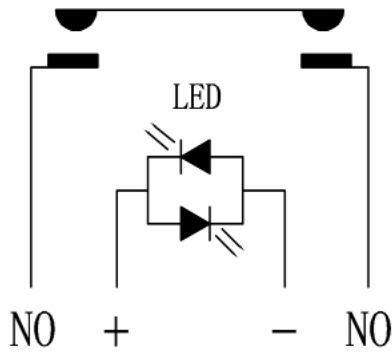
The necessary connection cable, socket, sealing ring and nut are already included in the scope of delivery.

MAIN FEATURES

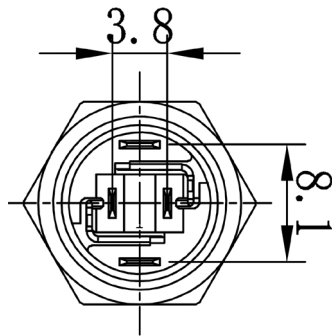
Core & outer material	Stainless steel
Material of the pins	H65 silver/gold coated
Key depth	3.5 mm
Operating mode	Switch or button
Degree of protection	IP65 and IK10
Special features	momentary or latching
Dimensions of Mounting hole	Ø 12 x ≤ 8 mm
Overall dimensions	Ø 14 x 26.5 mm
Thread	M12
Scope of delivery	Button, connection cable, socket, sealing ring, nut

FURTHER SPECIFICATIONS

Nominal load	Resistive: 7 A / 230 V AC 7 A / 24 V DC
	Inductive: 3 A / 230 V AC 3 A / 24 V DC
Minimal load	5 mA / 3V AC/DC
Service life	Electrical (resistive): 7A/230V AC, 0.5A/24V DC: 20.000x 0.5A/230V AC, 0.5A/24VDC: 50.000x
	Mechanical: latching: 200.000x momentary: 1.000.000x
	Extreme pressure test: Press and hold for 5 s at 4x per minute - 2.000x
LED voltage	5 - 24 V DC
LED service life	≥ 50.000 hours
Connections	2x NO, LED+, LED-



Insulation resistance	≥ 1000 MΩ
Breakdown voltage	2500 V AC
Contact resistance	≤ 50 mΩ
Torque nut	0.8 - 1.2 Nm
Base material	PA46 flame retardant
Operating temperature / humidity	-40 to 80°C with max 90 % rH



FURTHER INFORMATION

Item number	Button12E-01 (latching & green)
	Button12E-02 (latching & red)
	Button12E-03 (momentary & green)
	Button12E-04 (momentary & red)
EAN	4250236825021 (Button12E-01)
	4250236825038 (Button12E-02)
	4250236825045 (Button12E-03)
	4250236825052 (Button12E-04)
Customs tariff number	8536 50 11 90



CAUTION: Work on voltages above 60 V is reserved for qualified electricians. There is a risk of electric shock, which can lead to serious injury or death.

