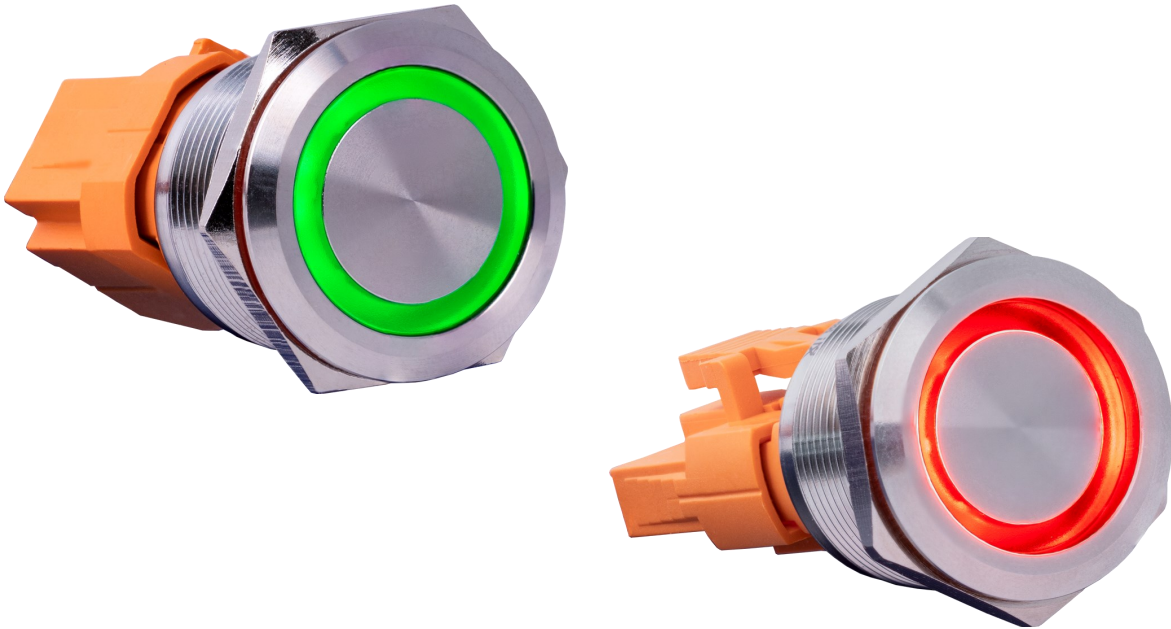


BUTTON22

High-current microswitch button with LED light



1. GENERAL INFORMATION

Dear customer,

Thank you for purchasing our product. In the following, we will show you which things should be noted during the use.

Should you encounter any unexpected problems, do not hesitate to contact us.

This manual is about the Button22A, Button22B and Button22C. In the following, you will find how to connect your button and what you have to consider during your usage.



For your own safety, this product may only be installed by a qualified electrician! Working on electric devices / systems implies the hazard of electric shocks which may cause serious injuries or even death!

2. LATCHING OR MOMENTARY

We offer this type of buttons as latching or momentary. Here, latching means that the button holds the pressed position. Momentary means that the button automatically resumes its original position after being pressed.

This is, for example, marked in the article number of our buttons as L (latching) or as M (momentary).

3. CONNECTION OF THE BUTTONS

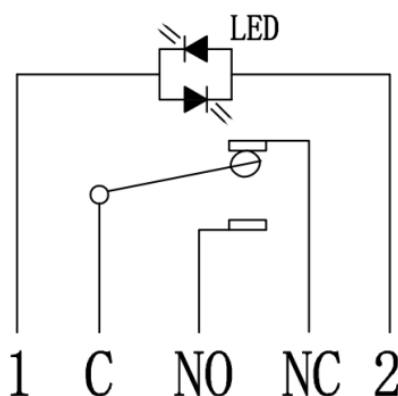
The buttons are connected by using NC (Normally Closed), COM and NO (Normally Open). NC means that the button opens the circuit when pressed. When connected with NO, the circuit is closed when pressed. COM is the common connection for NO and NC.

4. CONNECTION BUTTON 22A



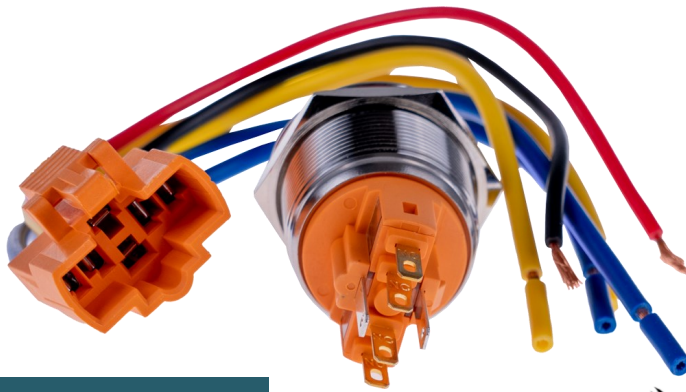
Cable	Connection
Red	3 to 8 V
Black	GND
Yellow	NC
Green	COM
Blue	NO

LED



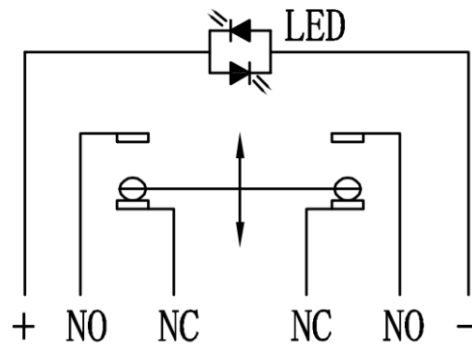
When using the buttons 22B, you can use NC or NO, if necessary, by connecting one cable to NC or NO and the other to COM.

4. CONNECTION BUTTON 22B



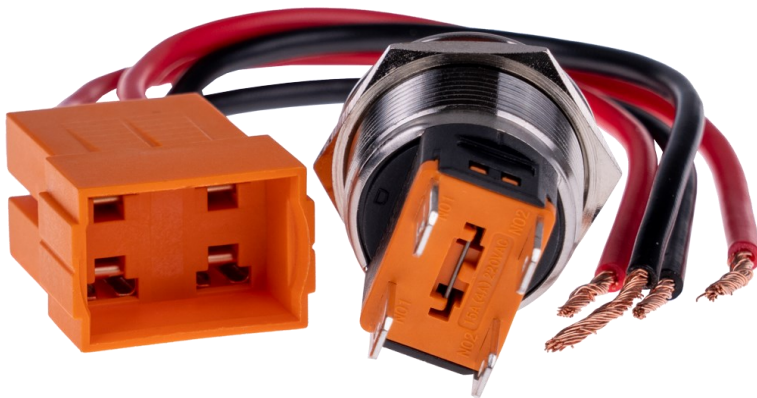
Cable	Connection
Red	3 to 8 V
Black	GND
Yellow	NC
Blue	NO

} LED

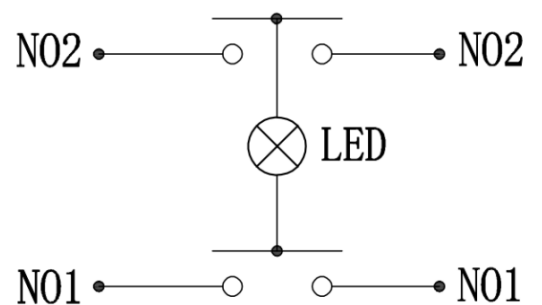


When using the buttons 22B, you can use NC or NO, as required, by using both cables of the corresponding color for the power supply.

5. CONNECTION BUTTON 22C



Cable	Connection
Red	NO1
Black	NO2



ATTENTION!!

Please always observe the permissible LED voltage of your button. If the voltage you want to switch corresponds to the LED voltage, you can use the NO1 and NO2 connections.

If the voltage to be switched does not correspond to the LED voltage, you must use the NO1 and NO1 **or** NO2 and NO2 connections so that the voltage is not applied to the LED.

LED voltage 3 - 8 V DC:
 Button22C-L-GR, Button22C-L-RD, Button22C-M-GR, Button22C-M-RD

LED voltage 220 - 240 V AC:
 Button22C-01, Button22C-02

6. OTHER INFORMATION

Our information and take-back obligations according to the Electrical and Electronic Equipment Act (ElektroG)



Symbol on electrical and electronic equipment:

This crossed-out dustbin means that electrical and electronic appliances do not belong in the household waste. You must return the old appliances to a collection point.

Before handing over waste batteries and accumulators that are not enclosed by waste equipment must be separated from it.

Return options:

As an end user, you can return your old device (which essentially fulfils the same function as the new device purchased from us) free of charge for disposal when you purchase a new device.

Small appliances with no external dimensions greater than 25 cm can be disposed of in normal household quantities independently of the purchase of a new appliance.

Possibility of return at our company location during opening hours:

SIMAC Electronics GmbH, Pascalstr. 8, D-47506 Neukirchen-Vluyn, Germany

Possibility of return in your area:

We will send you a parcel stamp with which you can return the device to us free of charge. Please contact us by email at Service@joy-it.net or by telephone.

Information on packaging:

If you do not have suitable packaging material or do not wish to use your own, please contact us and we will send you suitable packaging.

7. SUPPORT

If any questions remained open or problems may arise after your purchase, we are available by e-mail, telephone and ticket support system to answer these.

E-Mail: service@joy-it.net

Ticket-system: <https://support.joy-it.net>

Telephone: +49 (0)2845 9360 – 50

For further information visit our website:

www.joy-it.net