

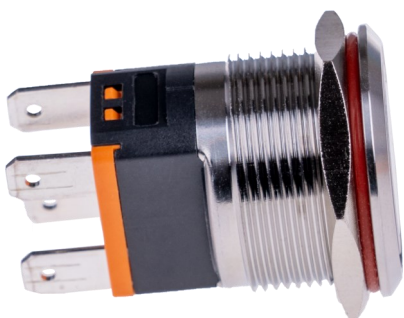
BUTTON-22C-M-GR

Momentary high current microswitch steel button with green LED light



Our momentary steel push button convinces with high-quality materials, protection classes and ergonomics. It is made of stainless steel and meets the protection classes IP67 (dust and water), IK10 (impact) and PA66 (flame). The protection classes, the wide temperature range and the durability make our steel push button suitable for many applications. The steel push button has a bright LED ring (green). Due to the concave design of the surface, there are no sharp edges. The connecting cables and the sockets have different colours and shapes, so that confusion of the push button variants (22A / 22B / 22C) is impossible.

The necessary connection cables, socket, sealing ring and nut are already included in the scope of delivery.



MAIN FEATURES

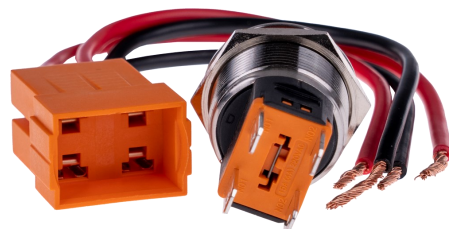
| | |
|-----------------------------|---------------------------|
| Switch current | 15 A |
| Key and shell material | Stainless steel |
| Contact material | Silver |
| Pins material | H65 silver-plated |
| Key depth | 3.5 mm |
| Operation mode | momentary |
| Protection level | IP67 and IK10 |
| Special feature | high-luminous LED (green) |
| Dimensions of mounting hole | Ø 22,2 x ≤9 mm |
| Overall dimensions | Ø 24,8 x 34,5 mm |
| Items delivered | Button, 4x 150 mm cables |

FURTHER SPECIFICATIONS

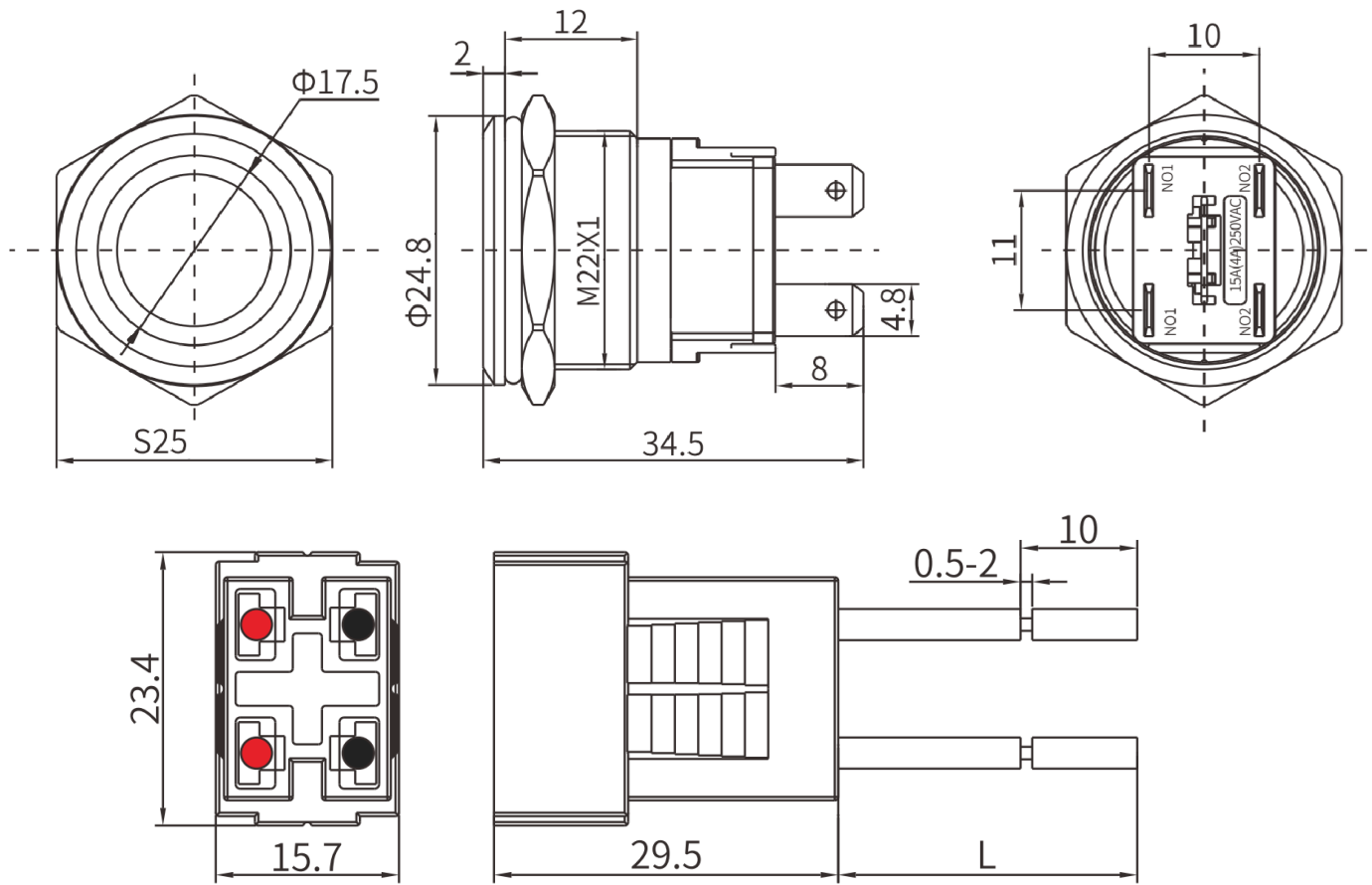
| | |
|-------------------------|--|
| Rated Load | 15 A/250 V resistive, 2 A/250 V inductive |
| LED Voltage | 3 - 8 V DC |
| LED life | 40 000 h |
| Connector Wiring | 2x NO1 2x NO2 |
| Insulation resistance | ≥ 1000 MΩ |
| Dielectric strength | 1000 VAC min |
| Contact resistance | ≤50 mΩ |
| Nut torque | 5 -14 Nm |
| Base Seating | flame retardant PA66 |
| Environment temperature | -30 - 80°C |

FURTHER DETAILS

| | |
|--------------------|----------------|
| Article No. | Button22C-M-GR |
| EAN: | 4250236821931 |
| Customs Tariff No. | 8473302000 |



SCHEMATIC DIAGRAM



Connector: Cable length: 150mm, 1.5mm²

Connector

