

EMERGENCY STOP SWITCH

with two-color LED



Our latching emergency stop steel button impresses with its high-quality materials, protection classes and ergonomics. It is made of stainless steel and complies with protection classes IP65 (dust and water), IK10 (impact) and PA66 (flame). The protection classes, wide temperature range and durability make our steel button suitable for many applications.

The steel button has a bright LED ring that can light up in two different colors (red & green). This serves to identify whether the emergency stop has already been activated or not. When the emergency stop is pressed, the button engages. This can be released again by turning the button.

The necessary connection cable, socket, sealing ring and nut are already included in the scope of delivery.

MAIN FEATURES

Core & outer material	Stainless steel
Material of the pins	H65 silver/gold coated
Key depth	3 mm
Operating mode	Latching
Degree of protection	IP65 and IK10
Special features	bright LED (green & red)
Dimensions Mounting hole	Ø 22 x ≤ 12 mm
Overall dimensions	Ø 27 x 46.3 mm
Thread	M22
Scope of delivery	Button, connection cable, socket, sealing ring, nut

FURTHER SPECIFICATIONS

Nominal load	Resistive: 1 A / 110 V AC, 0.5 A / 230 V AC 1 A / 24 V DC
	Inductive: 0.2 A / 110/230 V AC 0.2 A / 110 V DC
Minimal load	5 mA / 3 V AC/DC
Service life	Electronical (resistive): 1A/230V AC, 1A/24V DC: 100.000x 3A/230V AC, 3A/24V DC: 30.000x 5A/230V AC, 5A/24V DC: 5.000x
	Mechanical: latching: 250.000x
	Extreme pressure test: Press and hold for 5 s at 4x per minute - 2.000x
LED service life	≥ 50 000 hours
Connections	2x NO, NC, 2x LED+, 2x LED
Insulation resistance	≥ 1000 MΩ

Breakdown voltage	1500 V AC
Contact resistance	≤ 50 mΩ
Torque nut	0.8 - 1.2 Nm
Base material	PA66 flame retardant
Operating temperature / humidity	-40 to 80°C with max 90% rH



CAUTION: Work on voltages above 60 V is reserved for qualified electricians. There is a risk of electric shock, which can lead to serious injury or death.

Button22NA-01

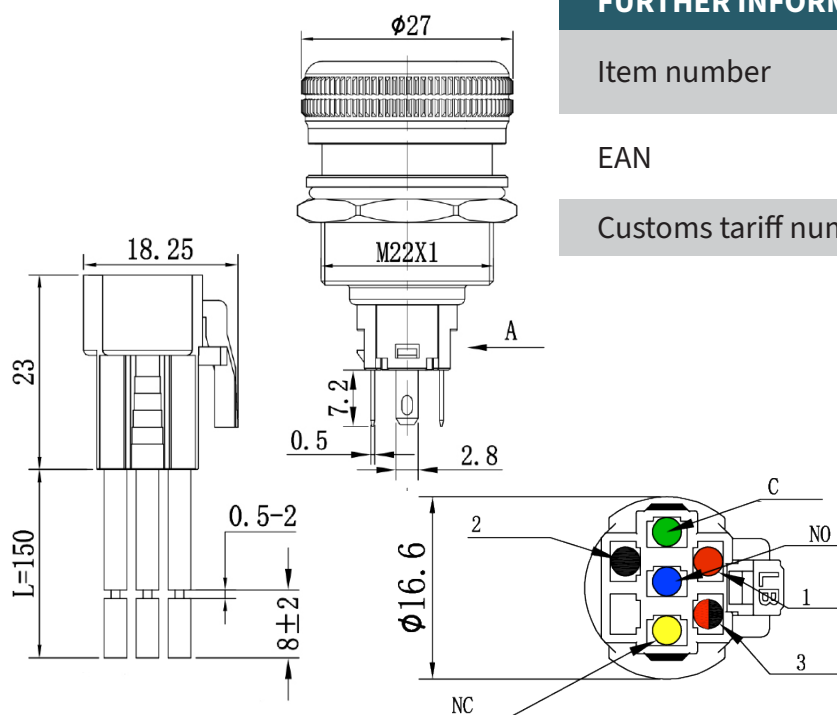
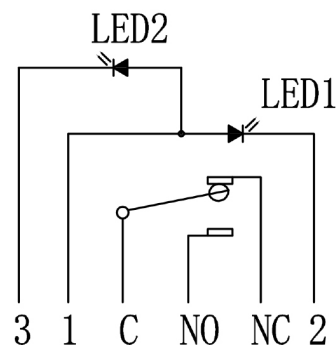
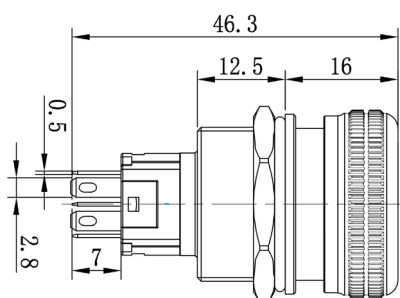
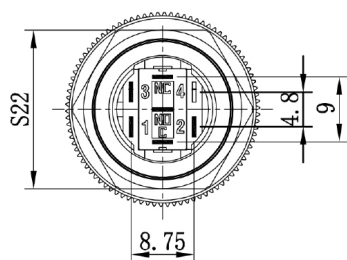
SPECIFIC INFORMATION

LED voltage	9 - 24 V DC
-------------	-------------

Button22NA-02

SPECIFIC INFORMATION

LED voltage	220 - 250 V AC
-------------	----------------



FURTHER INFORMATION

Item number	Button22NA-01 Button22NA-02
EAN	4250236825083 (Button22NA-01) 4250236825090 (Button22NA-02)
Customs tariff number	8536 50 11 90

