

TOUCH BUTTON

Latching / momentary touch button with blue and red LED light



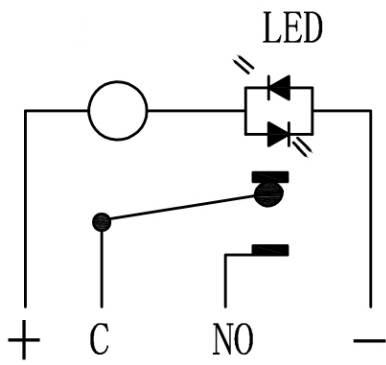
Our latching / tactile touch steel button impresses with its high-quality materials, protection classes and ergonomics. It is made of stainless steel and complies with protection classes IP65 (dust and water), IK10 (impact) and V2 (flame). The protection classes and durability make our steel pushbutton suitable for many applications. The steel button has a bright LED ring that can light up in two different colors (red & blue). This serves to identify whether the touch switch detects a touch or is actuated. The necessary connection cable, socket, sealing ring and nut are already included in the scope of delivery.

MAIN FEATURES

Core & outer material	Stainless steel
Material of the pins	H65 gold-plated
Key depth	3.5 mm
Operating mode	latching or momentary
Degree of protection	IP65 and IK10
Special features	bright LED (blue & red)
Dimensions Mounting hole	Ø 22 x ≤ 11 mm
Overall dimensions	Ø 25 x 37.8 mm
Thread	M22
Scope of delivery	Button, connection cable, socket, sealing ring, nut

FURTHER SPECIFICATIONS

Nominal load	Resistive: 2 A / 230 V AC 2 A / 24 V DC
	Inductive: 0.3 A / 110/230 V AC 0.3 A / 24 V DC
	Minimal load 5 mA / 3V AC/DC
Service life	Electronical (resistive): 2A/230V AC, 2A/24V DC: 10.000x
	Mechanical: 100.000x
LED voltage	24 V DC
LED service life	≥ 50.000 hours
Connections	2x NO, LED+, LED-
Insulation resistance	≥ 1000 MΩ
Breakdown voltage	1000 V AC
Contact resistance	≤ 50 mΩ
Torque nut	0.8 - 1.2 Nm



Base material

PC flame retardant

Operating temperature /
humidity

-30 to 70°C with max 90% rH

FURTHER INFORMATION

Item number

Button22T-01 (momentary)
Button22T-02 (latching)

EAN

4250236825106 (Button22T-01)
4250236825144 (Button22T-02)

Customs tariff number

8536 50 11 90



CAUTION: Work on voltages above 60 V is reserved for qualified electricians. There is a risk of electric shock, which can lead to serious injury or death.



CAUTION! Both versions of the buttons have an IP protection class, but can be triggered unintentionally if they come into contact with water.

