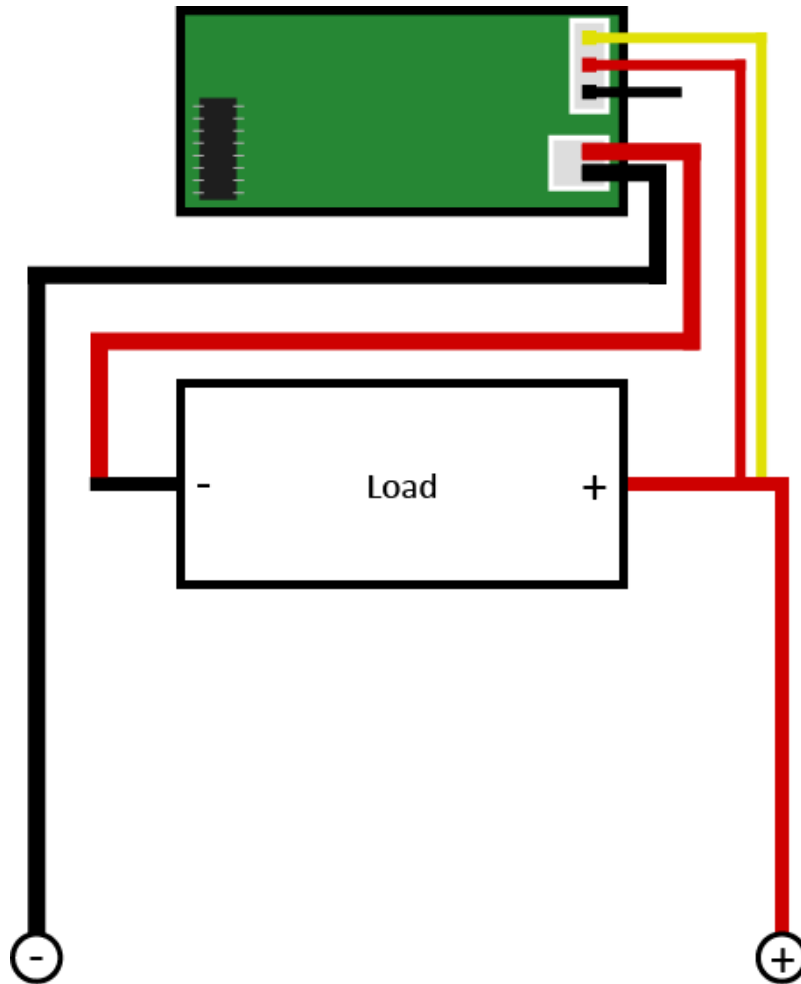


COM-VAO10020

wiring



red cable (thick)	current measurement input
black cable (thick)	current measurement output
red cable (thin)	supply voltage input
yellow cable	voltage measurement
black cable (thin)	ground



Attention! In case of a direct operation via the measuring voltage the thin, black cable stays unwired (see wiring diagram).