

VM-533

Digital voltmeter 5 digits



1. GENERAL INFORMATION

Dear customer,

thank you for choosing our product. In the following, we will show you how to use your product.

Should you encounter any unexpected problems during use, please do not hesitate to contact us.

2. TECHNICAL SPECIFICATIONS

Operating voltage	3.5 - 30 V
Current at 3.6 V	approx. 8 mA
Current at 12 V	approx. 9.5 mA
Measuring range	0- 33 V
Operating temperature	-10 – 65 °C
measurement accuracy	± 0,3 %
Dimensions	48 x 29 x 22 mm
Weight	16 g

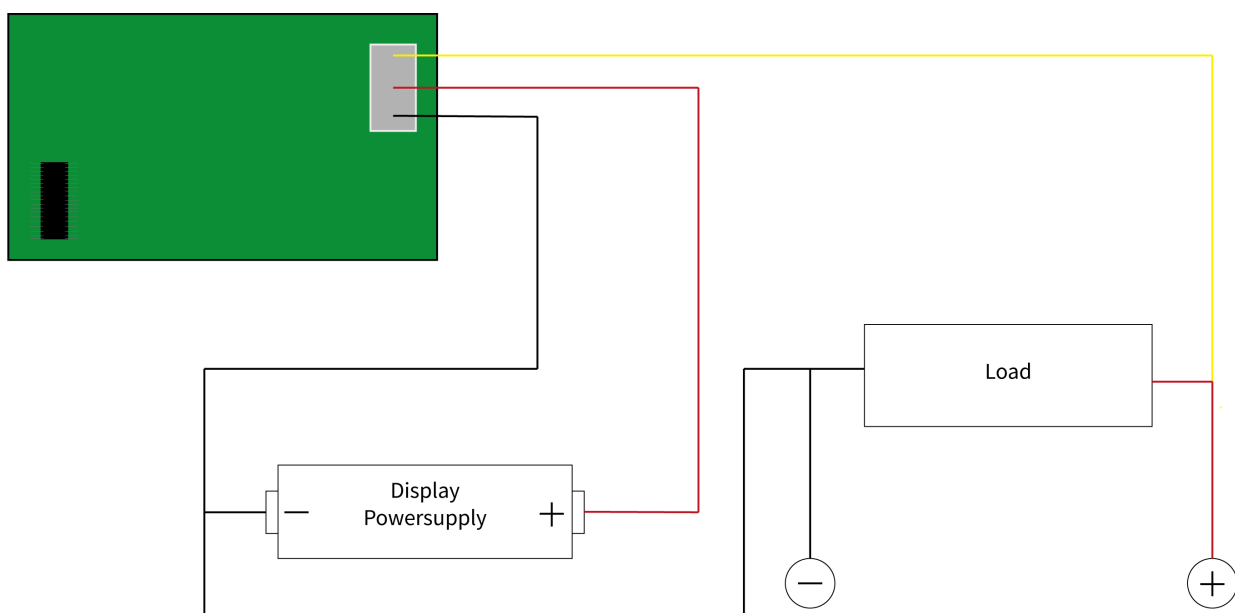
3. CONNECTION

The provided plug of the digital voltmeter has 3 cables.

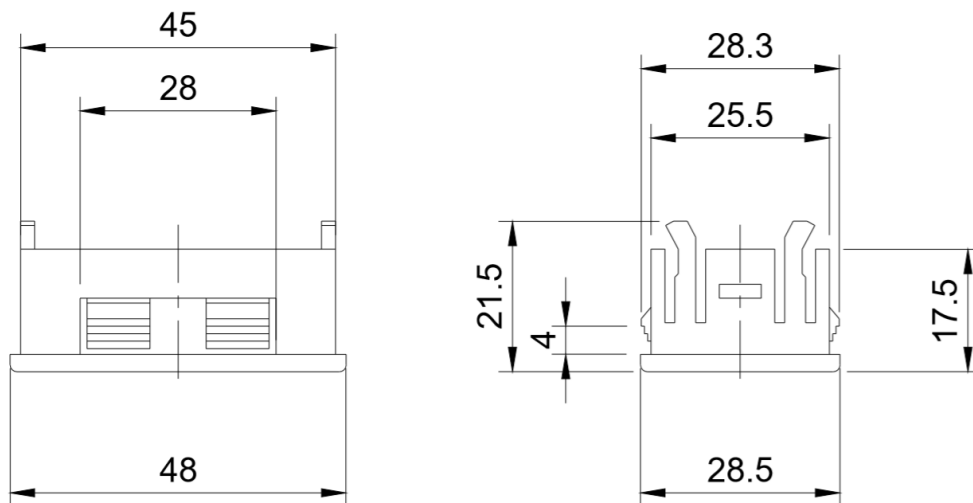
The red cable is the positive pole for the power supply of the display.
The black cable is the negative pole for the power supply of your display.
The yellow cable is used for the measuring voltage.

Connect the red cable to the positive pole of your operating voltage.
Connect the black cable to the negative pole of your operating voltage.
The yellow cable is connected with the voltage source which is being measured.

The display shows you now the electric voltage.



4. TECHNICAL DRAWING



5. SUPPORT

If any questions remain open or problems arise after your purchase, we are available by e-mail, telephone and with a ticket support system to answer these.

E-Mail: service@joy-it.net

Ticket-System: <http://support.joy-it.net>

Telephone: +49 (0)2845 98469 – 66 (10 - 17 o'clock)

For further information visit our website:

www.joy-it.net