

JOY-IT VIEW 15

15.6" portable monitor with touchscreen



1. INFORMATION

Dear Customer,
thank you very much for choosing our product.
In the following, we will introduce you to what has to be observed while starting up and using this product.
Should you encounter any unexpected problems during use, please do not hesitate to contact us.

The Joy-View was designed for the USB-type-C interface and inherits a high-quality touchscreen besides the Full-HD-resolution. Many more devices like gaming consoles are supported with an additional Mini-HDMI-port. With the enclosed smart case the Joy-View is not only protected on every transport. Further, due to its pedestal, the case also offers a safe and upright stand feature. In addition, the JOY-View has very low weight. That is why it suits perfectly for mobile use.

2.SAFETY INSTRUCTIONS

MOUNTING THE MONITOR

Please make sure the monitor is placed on stable ground and no cables get in the way, otherwise there is a danger of injuries. Please consider when placing the monitor on another device, this device must be able to withstand the weight of the display, otherwise this can result to damages of the device.

SWITCH OFF IN DANGER

In case the monitor shows unusual happenings like smoke or smells, please switch it off immediately and remove the power supply. Continued use may lead to fire or electric shock.

NEVER OPEN CASE

The monitor contains parts which are exposed to power. Opening the case may lead to fire or electric shock.

NEVER INSERT FOREIGN OBJECTS INTO MONITOR

You should never insert foreign objects or liquids into the monitor. Should this happen, please switch it off and disconnect it from electricity. It can lead to fire or electric short circuits.

REMOVE CABLES BEFORE TRANSPORT

Please remove cables before transportation. Otherwise, this may lead to fire or short circuits.

DO NOT EXPOSE TO WATER

Any contact to water or even splash water can lead to fire or electric shocks.

ORIGINAL POWER SUPPLY

While using a foreign power supply, it may lead to damages of the device or fire.

NEVER OPEN UP POWER SUPPLY UNIT

Opening the power supply unit may lead to electric shocks or fire.

PLUGGING AND UNPLUGGING

You should always pull only on the plugs for plugging and unplugging, otherwise the wiring can be damaged which may lead to a danger of fire or electric shocks.

DO NOT DAMAGE CABLES

Please be aware to not damage the cable in any way and to protect it against exposures like pressure or tractive forces, because this may lead to fire or short circuits.

ENVIRONMENTAL CONDITIONS

You should not use the monitor among extreme temperatures, high humidity or very dusty air, because it may lead to fire, short circuits or damages to the device.

DO NOT TOUCH PLUG WITH WET HANDS

In case you touch the plug with wet hands, it may lead to fire or electric shocks.

3. TECHNICAL SPECIFICATIONS

Resolution	1920 x 1080
Breadth	10 mm
Refresh rate	60 Hz
Brightness	300 nit
Contrast	800 : 1
Color space	16.7M, NTSC 72%, sRGB bis zu 100%
Sight angle	178 °
Screen type	TFT IPS LCD
Aspect ratio	16 : 9
Backgroundlight	LED
Power supply	PD 5 - 20 V, Type-C USB 3.0
Loudspeaker	double loudspeaker 8Ω2W
Inputs	Mini HDMI, Type-C, PD
Outputs	3,5 mm headphone jack
Operating temperature	0 - 50 °C
Case	Aluminium alloy

4. SCOPE OF DELIVERY

1x Monitor	1x Smart Case
1x Power Supply (5V/2A)	1x Type-C to Type-C Cable (1m)
1x USB A to USB Type-C Cable (1m)	1x HDMI to mini HDMI Adaptor
1x Mini HDMI to HDMI Cable (1,5m)	

5. FUNCTIONALITY OF BUTTONS & INTERFACES



1. POWER

Press and hold down: switching the monitor on/off

Press shortly: 1. Open the signal source menu

2. Close or return in the OSD Menu

2. + / MENU / -

Push the button (MENU) to open the OSD Menu

→ + / - to move through the menu

→ Push the button (MENU) to choose an option

Push up the button towards + to open the brightness menu

→ + / - for brighter/ darker

Push down the button towards - to open the volume menu

→ + / - for volume up and volume down

3. PD

USB-Type-C port (supported PD) for power connection

4. HDMI

Mini-HDMI port for image transmission







5. Type-C

USB-Type-C port for image transmission, touchscreen and power

6. Headphone jack HP

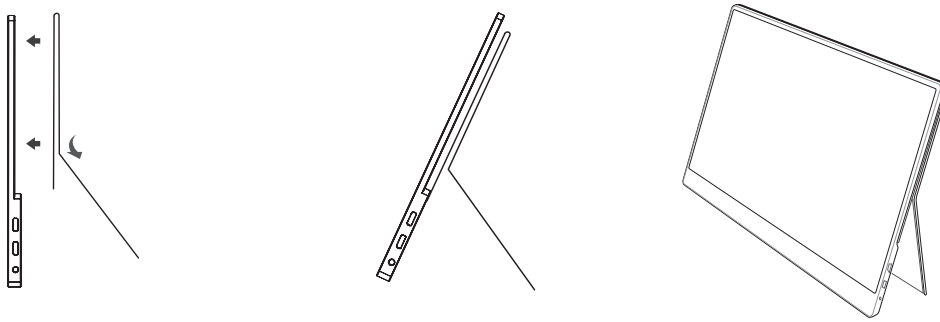
port for audio output → 3,5 mm headphone jack

6. ON-SCREEN DISPLAY MENU

	BRIGHTNESS	Setting of display's brightness
	CONTRAST	Setting of display's contrast
	ECO	Adjusts the brightness for an activity
	DCR	Rises the contrast for low display brightness
	ASPECT	Changes the format (16:9 & 4:3)
	COLOR TEMP.	Contains 3 user-defined color modes, cool and warm
	RED	Changes the blue shade in the picture
	GREEN	Changes the green shade in the picture
	BLUE	Changes the blue shade in the picture
	LANGUAGE	Chooses language in the On-screen display menu
	OSD H. POS.	Horizontal orientation of the OSD position
	OSD V. POS.	Vertical orientation of the OSD position
	OSD TIMER	Sets the duration of OSD open inactively
	TRANSPARENCY	Sets the transparency of the OSD
	IMAGE AUTO ADJUST	Automatic orientation of the image
	COLOR AUTO ADJUST	Automatic color temperature adjustment
	RESET	Resets the settings to factory default
	AUTO POWERDOWN	Automatic display power off when time limit is reached
	HDR MODE	Chooses the 2084 Mode (automatical or off)
	SIGNAL SOURCE	Chooses the input signal (HDMI or Type-C)
	LOW BLUE LIGHT	Chooses LOW BLUE LIGHT Mode (25, 50, 75, 100)
	VOLUME	Adjusts the volume

7. SETTING OF THE MONITOR

1. Attach the smart case to the monitor.



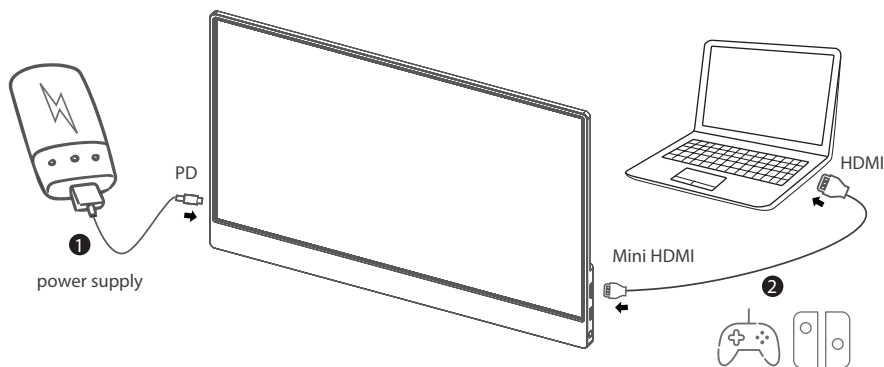
CAUTION:

You have to fix the smart case proper to the horizontal lying monitor, otherwise it may fall over or drop.

2. Connect the monitor with your device and connect to a power supply. Hereto, you can use different methods.

Connecting the monitor without Touchscreen

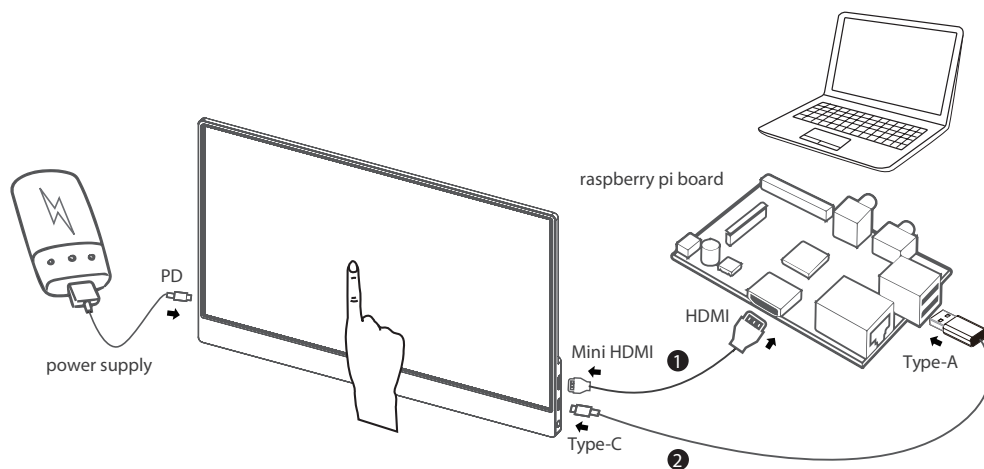
1. Connect the monitor to electricity with the power supply or with a power bank via USB type-A to USB type-C.
2. Connect the monitor with your device using the HDMI Cable.



Devices with HDMI or mini-HDMI connection are for example PC, Laptop, Raspberry Pi, Xbox One, Xbox 360, Macbook Pro, Nintendo Switch, Playstation 3, Playstation 4 etc.

Connecting the Monitor with Touchscreen

1. Connect the monitor with your laptop or Raspberry Pi using the HDMI cable.
2. Connect your monitor with your laptop or Raspberry Pi also using the USB A to USB Type-C cable.



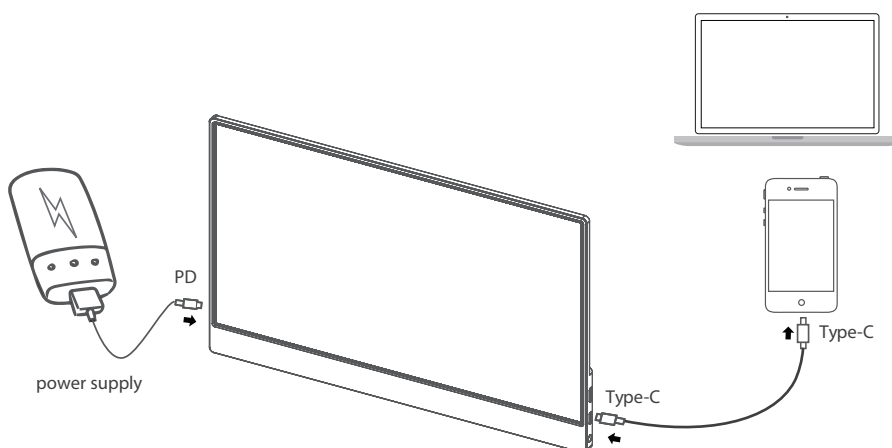
Please note that the touchscreen is only able to work if it is connected with a Windows 7 / 8 / 10 laptop or a Raspberry Pi.

In case the monitor is not provided with enough power by the USB-A port of your device, please connect it with a power supply additionally. The Type-C (not PD) port of the monitor still needs to be connected with your laptop or Raspberry Pi via the USB A port for operating the touch feature.

One Cable Connection for specific devices

Connect the monitor with your laptop/ tablet/ Android smartphone using the USB Type-C cable.

In case the monitor is not supported with enough power by the USB Type-C port, it may lead to image interferences or interruptions.



Please check, whether the USB Type-C port of your laptop / tablet / smartphone supports Type-C image transmission and if your Type-C cable is a USB 3.1 Gen 2 Type-C cable.

Devices which support USB Type-C port (Examples):

Game consols	Nintendo Switch Tablet
Huawei	Mate 10, Mate 10 Pro, Mate 20 Pro
	Mate 20 X, Mate 20, Mate 20 RS
	P20 Pro, P20, P30, P30 Pro
	MateBook 13, MateBook X Pro
	MateBook X, MateBook E
Samsung	Galaxy S8, Galaxy S8+, Galaxy S9
	Galaxy S10, Galaxy Tab S4, Galaxy Tab A
	Galaxy Book 2, Galaxy Tab S3
	Galaxy Book, Notebook 9 Pro
	Notebook 7 Spin, Notebook 9
	Notebook Flash
Apple	iPad Pro (2018), MacBook, MacBook Pro
	MacBook Air, iMac, iMac Pro
Microsoft	Surface Book 2
Asus	VivoBook Flip, ROG STRIX Hero Edition
	ROG Zephyrus M GM501GS
	ROG STRIX Scar Edition, ZenBook Pro 15
	ZenBook S, ROG STRIX, ROG STRIX GL503VDUH73
Dell	XPS9380, XPS 13 9370, Inspiron 13
	Inspiron 15, Alienware 17
	Alienware 15 R4, Latitude 5590, G3 17
	Inspiron 7777
HP	Pavilion x360, ENVY x360, ENVY x2
	Pavilion 15-CC610MS
	Pavilion 15-CX0051MS
	ENVY x2 Detachable 12-E068MS
	ENVY Notebook 17-U193MS
	Pavilion Gaming Desktop 790-0021
	Pavilion 24-XA0031
Lenovo	Legion Y7000, Miix 630, Ideacentre 730S
	Flex 14 81EM000LUS
	Flex 14 81EM000KUS
	Flex 5 81 CA0013US, Ideapad 720S
	Flex 5 81CA0016US

8. SUPPORT

We of course support you after the purchase.
Should you have any questions or encounter problems, please feel free to contact us via e-mail, phone und ticket support system.

E-mail: service@joy-it.net

Ticket-System: <http://support.joy-it.net>

Phone: +49 (0)2845 98469 – 66 (10 - 17 o'clock)

For further information, please visit our website:
www.joy-it.net

RB-JOY-PI EXPERIMENTAL AND EDUCATION CASE



- ▶ 21 stations for beginners as well as for advanced users
- ▶ With 7" touchscreen display
- ▶ Case contains many sensors and interactive modules

The Joy-Pi is an experimental case based on the Raspberry Pi 3B/3B+/4B and is ideal for the entry into electrical engineering and programming. The sophisticated case system offers a perfect all-in-one environment and puts an end to many fiddly small parts solutions and cable chaos on the worktable.

The Joy-Pi is also very suitable for school projects, as you can simply switch it off and close it at the end of the lesson and then continue working on the project in the next lesson. Another advantage of the case is its great mobility and compactness. This allows you to take it with you wherever you go and explore the Raspberry Pi universe with friends.