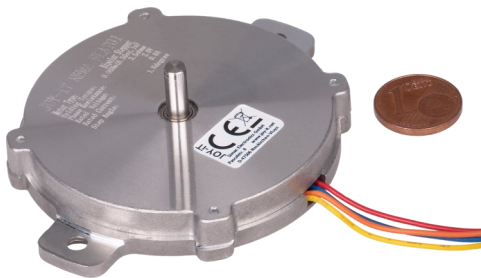


# FLAT NEMA STEPPER

## NEMA-FLAT01



These ultra-flat stepper motors have been specially developed for the feeders in semiconductor production.

But also in other areas with limited space, these flat stepper motors can be used very well.

### MAIN FEATURES

Shaft	Ø 4 x 10 mm
Interface connection	4 pin JST cable connector
Special features	ultraslim design
Dimensions	Ø 60 x 9.6 mm
Items delivered	1x NEMA-FLAT01 stepper motor

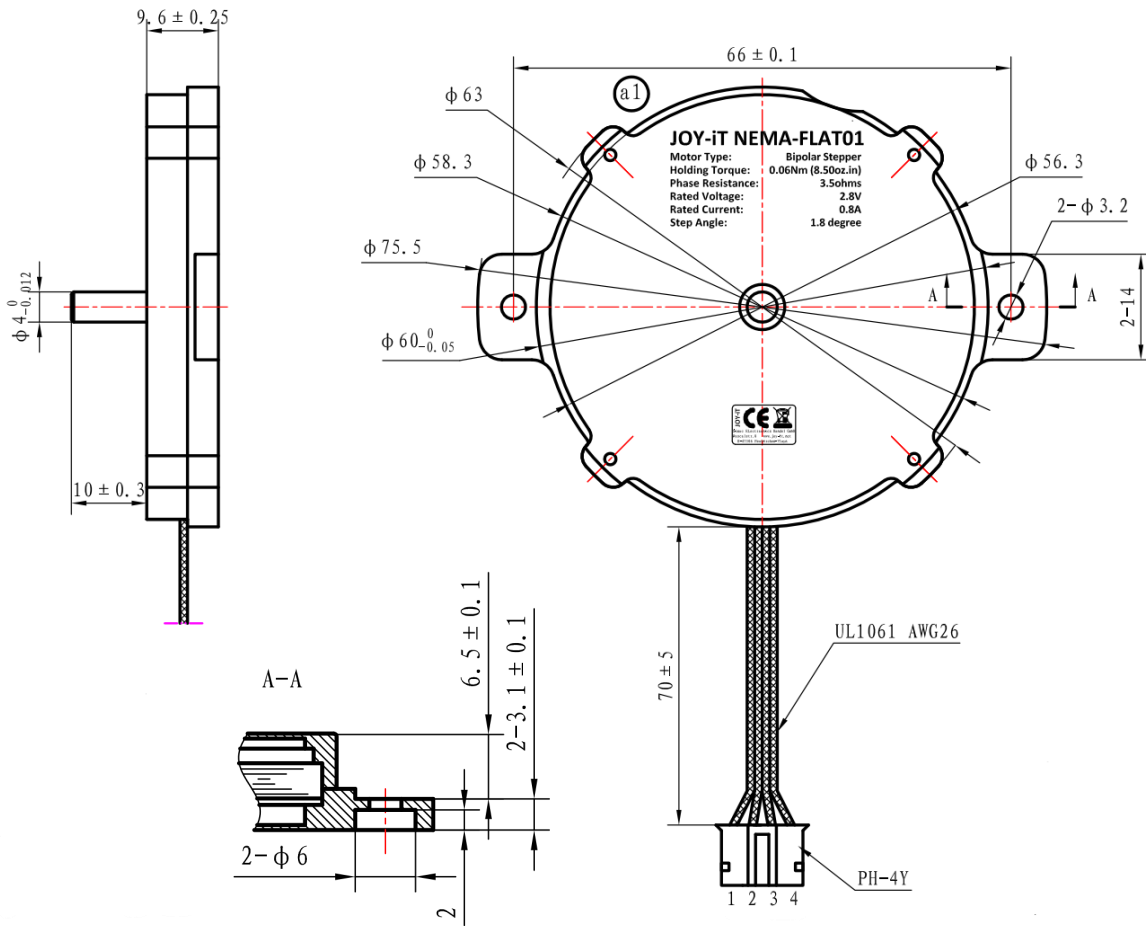
### PERFORMANCE SPECIFICATIONS

Holding torque	60 mNm
Rated Voltage	2.8 V
Rated Current	0.8 A
Step Angle	1.8 ° ±5 %
No. of Phases	2
Phase Resistance	3.5 Ω
Phase inductivity	1.8 mH
Isolation resistance	100 MΩ min. @500 V DC
Isolation class	B (130 °C)
Rotational inertia	15 g·cm <sup>2</sup>
Detent Torque	8 mNm
Operating temperature	-10 °C - 50 °C

### FURTHER DETAILS

Article No.	NEMA-Flat01
EAN:	4250236821641
Customs Tariff No.	8501109990

## DRAWING



## WIRING

