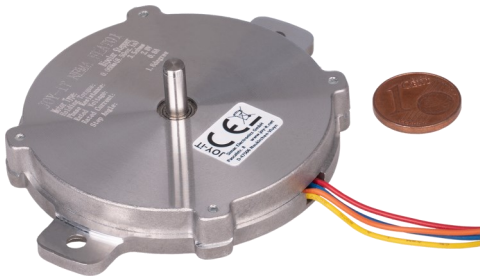


NEMA-FLAT01

Flat NEMA stepper motor



These flat stepper motors have especially been developed for the feeders in semiconductor production.

These stepper motors can be used very well in other applications with limited assembly space.

KEY FEATURES

Shaft dimensions	Ø 4 x 10 mm (single shaft)
Specification	57SHY4001-10
Connection	PH-4Y (JST compatible)
Steps per Revolution	200
Dimensions	Ø 60 x 9,6 mm
Items delivered	NEMA-FLAT01 Stepper Motor

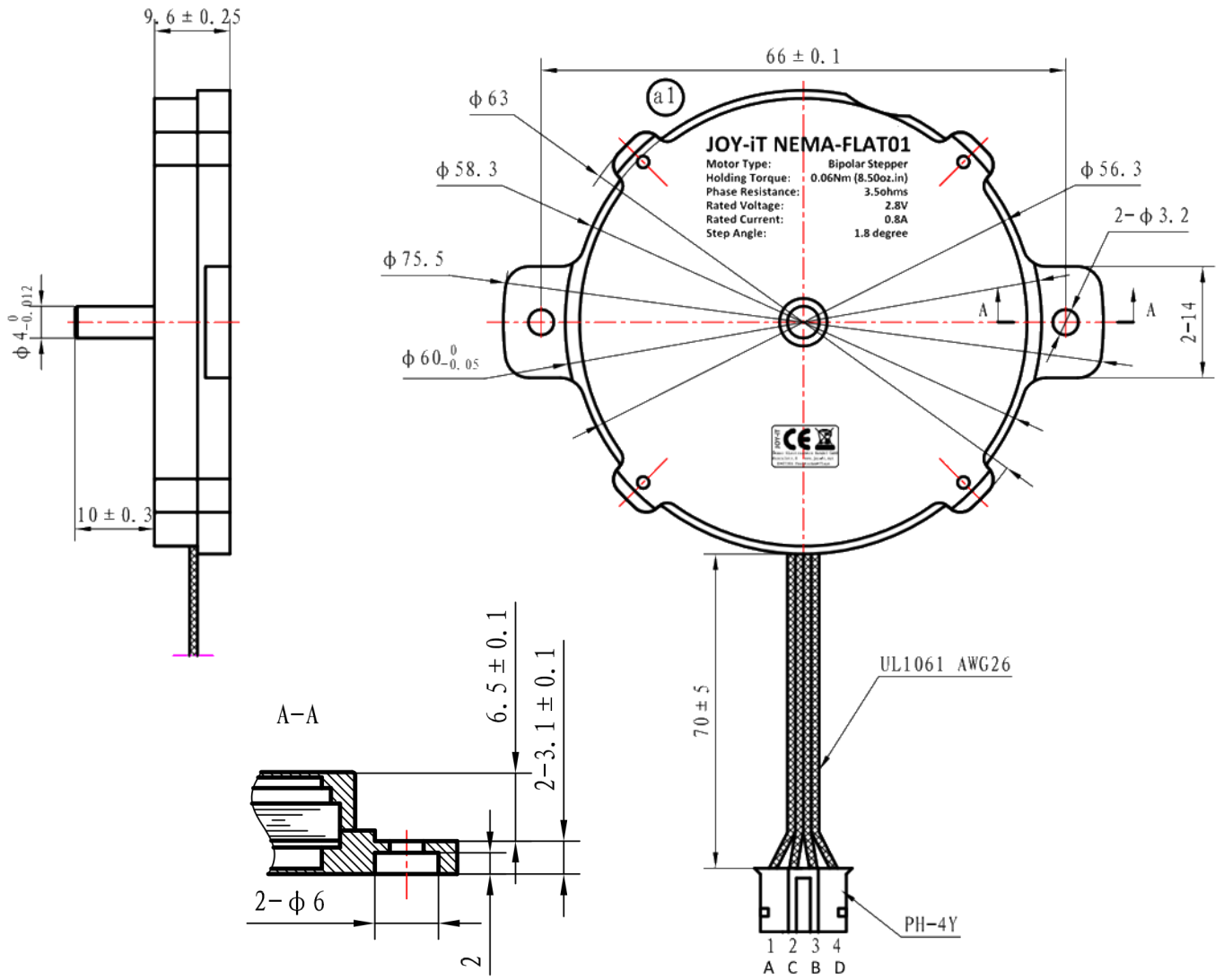
PERFORMANCE CHARACTERISTICS

Holding torque	0.06 Nm
Step angle	1.8 °
Rated voltage	2.8 V
Rated current	0.8 A
Amount of Phases	2
Phase resistance	3.5 Ω
Phase inductivity	1.8 mH
Isolation resistance	Min. 100MΩ by 500 V DC
Isolation class	B (130°)
Rotational inertia	15 g·cm ²
Detent torque	0.008 Nm
Operating temperature	-10 °C - 50 °C

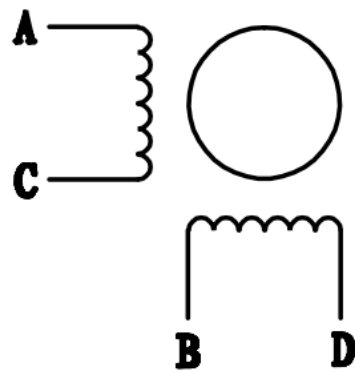
FURTHER DETAILS

Article No.	NEMA-FLAT01
EAN	4250236821641
Customs Tariff No.	8501109990

DRAWING



WIRING



TORQUE DIAGRAM

42 DRIVER SETTINGS

Voltage 24.63 V

max. current 0.8 A

T(mN.m)

60

54

48

42

36

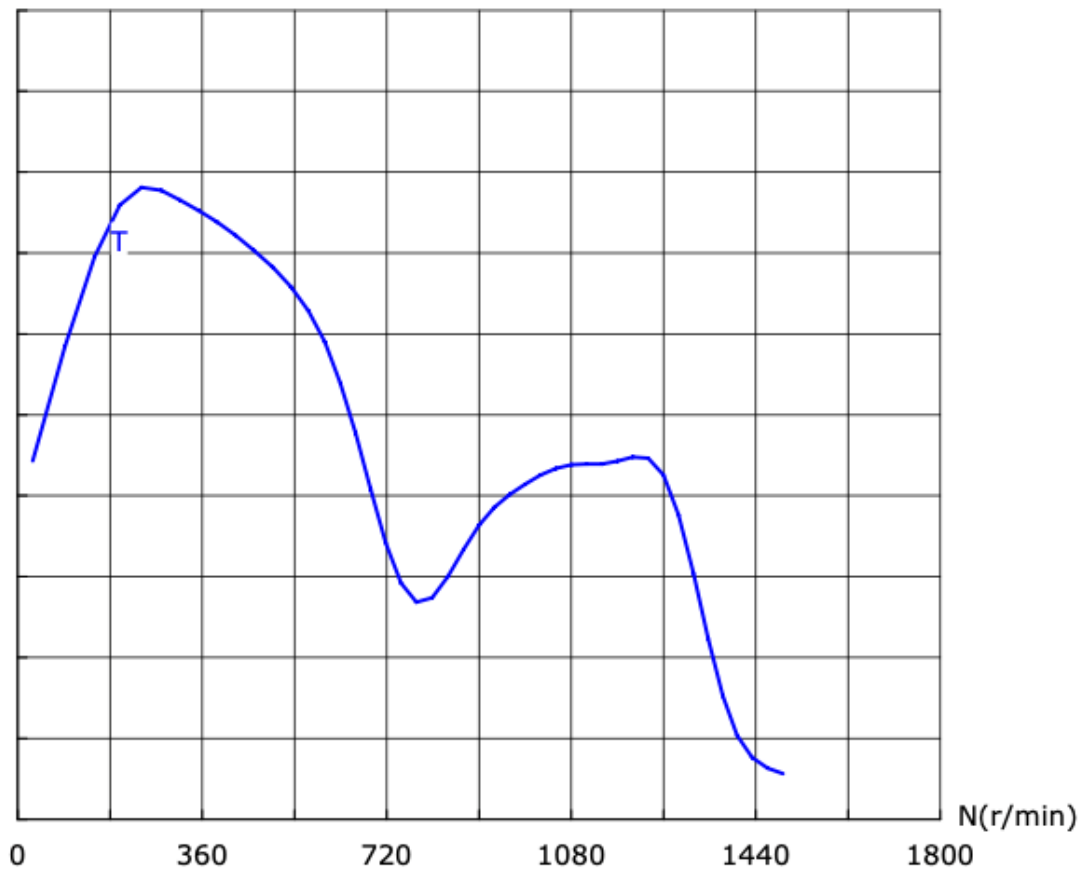
30

24

18

12

6



MAX. EFFICIENCY

Efficiency 24.8 %

Torque 26.8 mNm

Current 0.576 A

Speed 1230 min⁻¹

Output power 3.446 W

MAX. TORQUE

Torque 46.9 mNm

Current 0.406 A

Speed 241 min⁻¹

Output power 1.194 W

MAX. POWER

Torque 26.8 mNm

Current 0.576 A

Speed 1230 min⁻¹

Output power 3.446 W

Published: 24.09.2025