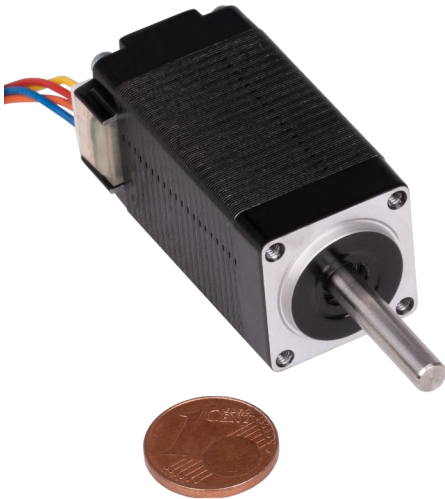


NEMA8 STEPPER MOTOR

NEMA08-02



Our NEMA 8 series are very small high torque stepper motors that can reach speeds of up to 3000 rpm. These motors are used in model making and maker scene as well as in the industrial environment (e.g. positioning of optics, dosing pumps, interlocks, etc.).

MAIN FEATURES

Single shaft	Ø 4 x 18.5 mm
Interface connection	6 pin JST socket
Dimensions	20 x 22 x 41.7 mm
Items delivered	NEMA8 stepper, connection cable

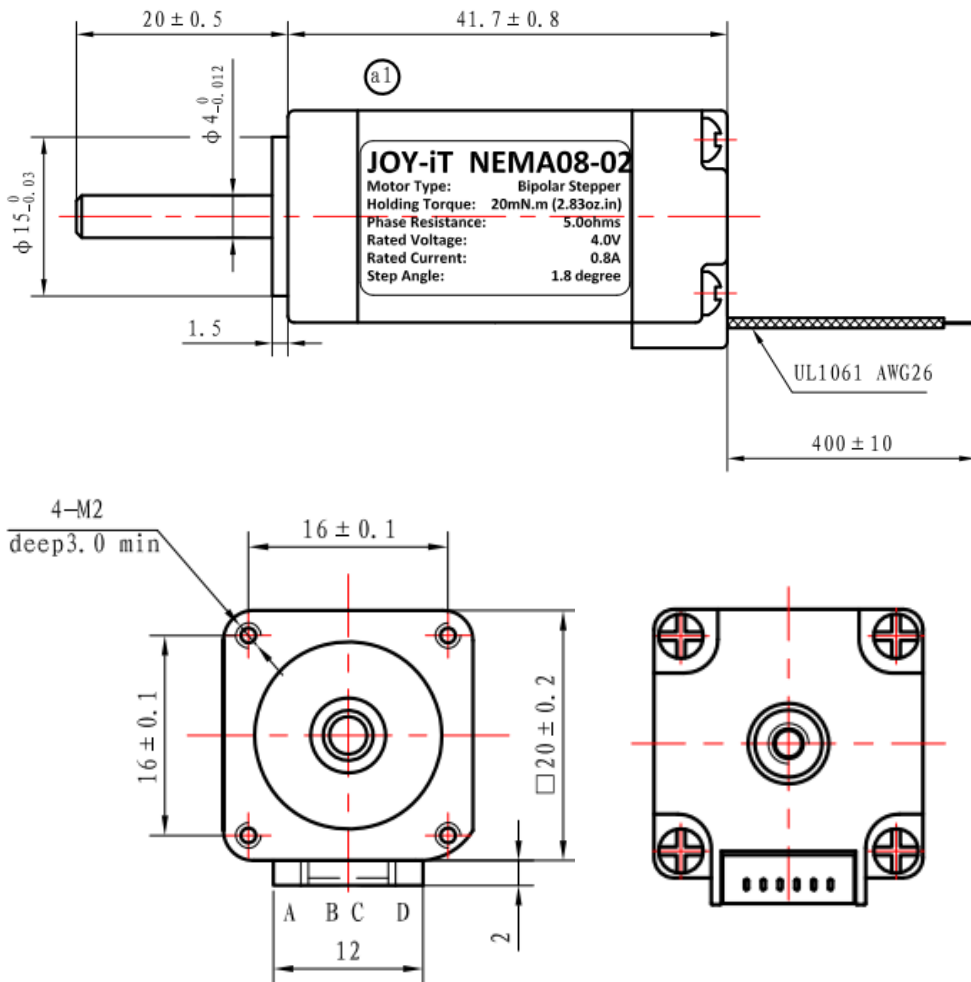
PERFORMANCE SPECIFICATIONS

Holding torque	20 mNm
Rated Voltage	4.0 V
Rated Current	0.8 A
Step Angle	1.8° ±5 %
No. of Phases	2
Phase Resistance	5.0 Ω
Phase inductivity	1.2 mH
Isolation resistance	100 MΩ min. @500V
Isolation class	B (130 °C)
Rotational inertia	3.5 g·cm ²
Detent Torque	3 mNm
Operating temperature	-10 °C - 50 °C

FURTHER DETAILS

Article No.	NEMA08-02
EAN:	4250236821672
Customs Tariff No.	8501109990

DRAWING



WIRING

