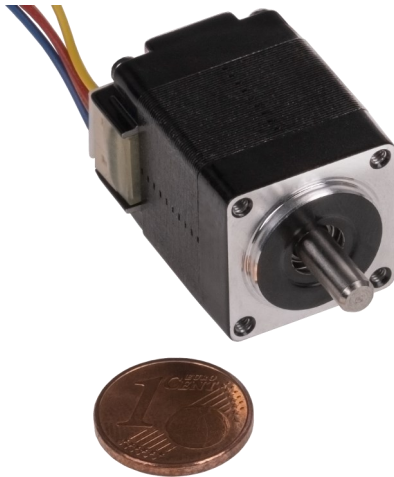


NEMA8 STEPPER MOTOR

NEMA08-03



Our NEMA 8 series are very small high torque stepper motors that can reach speeds of up to 3000 rpm.

These motors are used in model making and maker scene as well as in the industrial environment (e.g. positioning of optics, dosing pumps, interlocks, etc.).

MAIN FEATURES

| | |
|----------------------|---------------------------------|
| Shaft | Ø 4 x 8.5 mm |
| Interface connection | 6 pin JST socket |
| Dimensions | 20 x 22 x 27.3 mm |
| Items delivered | NEMA8 stepper, connection cable |

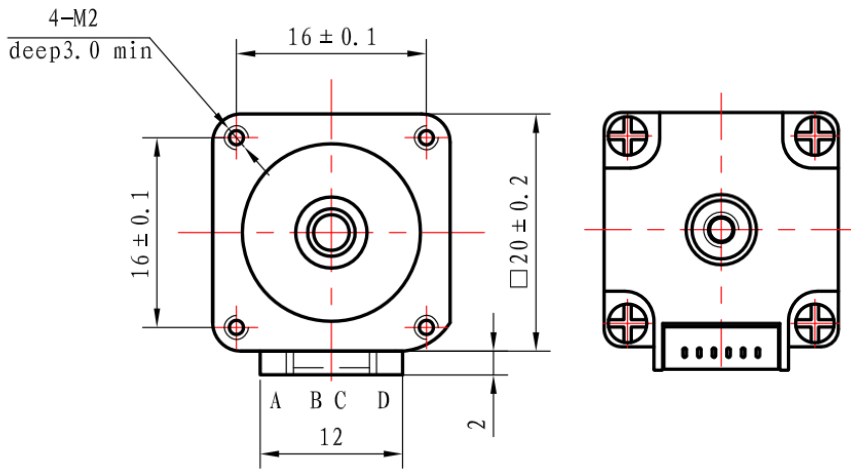
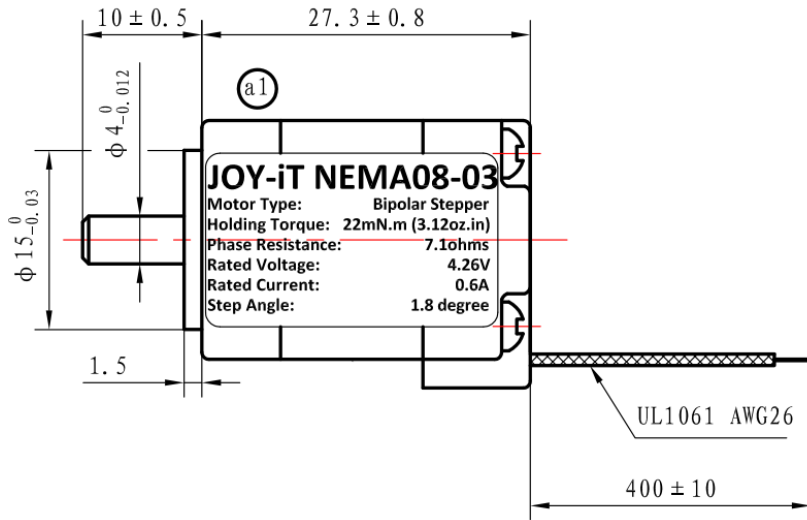
PERFORMANCE SPECIFICATIONS

| | |
|-----------------------|-----------------------|
| Holding torque | 22 mNm |
| Rated Voltage | 4.26 V |
| Rated Current | 0.6 A |
| Step Angle | 1.8 ° ±5 % |
| No. of Phases | 2 |
| Phase Resistance | 7.1 Ω |
| Phase inductivity | 2.1 mH |
| Isolation resistance | 100 MΩ min. @500 V DC |
| Isolation class | B (130 °C) |
| Rotational inertia | 2 g·cm ² |
| Detent Torque | 3 mNm |
| Operating temperature | -10 °C - 50 °C |

FURTHER DETAILS

| | |
|--------------------|---------------|
| Article No. | NEMA08-03 |
| EAN: | 4250236821689 |
| Customs Tariff No. | 8501109990 |

DRAWING



WIRING

