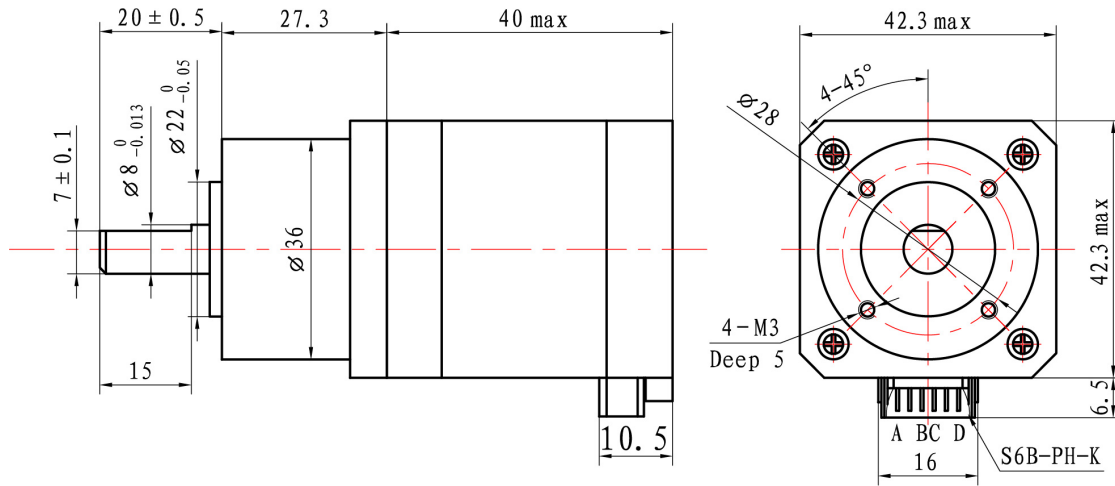


NEMA17-05GM

schematic drawings



Wiring diagram

