

# NEMA17-05GM

Bipolar Stepper Motor with 5 2/11 : 1 Gear



This compact stepper motor with a 5 2/11 : 1 transmission gearing is suitable for applications in which you require a precise and powerful working stepper motor.

## KEY FEATURES

Shaft dimensions	Ø 8 x 15 mm (single shaft)
Specification	42SHD0229-5G
Connection	6-pole connector (JST), 4 Pins used
Steps per revolution	200 (motor shaft) 1036,36 (gear shaft)
Dimensions	42 x 42 x 70 mm
Items delivered	NEMA17-05GM Motor

## PERFORMANCE CHARACTERISTICS

Holding Torque	1.68 Nm
Rated Voltage	2.8 V
Rated Current	1.68 A
Step Angle	1.8 ° (motor)
Amount of Phases	2
Phase Resistance	1.65 Ω
Phase Inductivity	3.2 mH
Isolation resistance	Min. 100MΩ at 500 V DC
Isolation class	B (130°)
Rotational Inertia	75 g·cm <sup>2</sup>
Operating Temperature	-10 °C - 50 °C

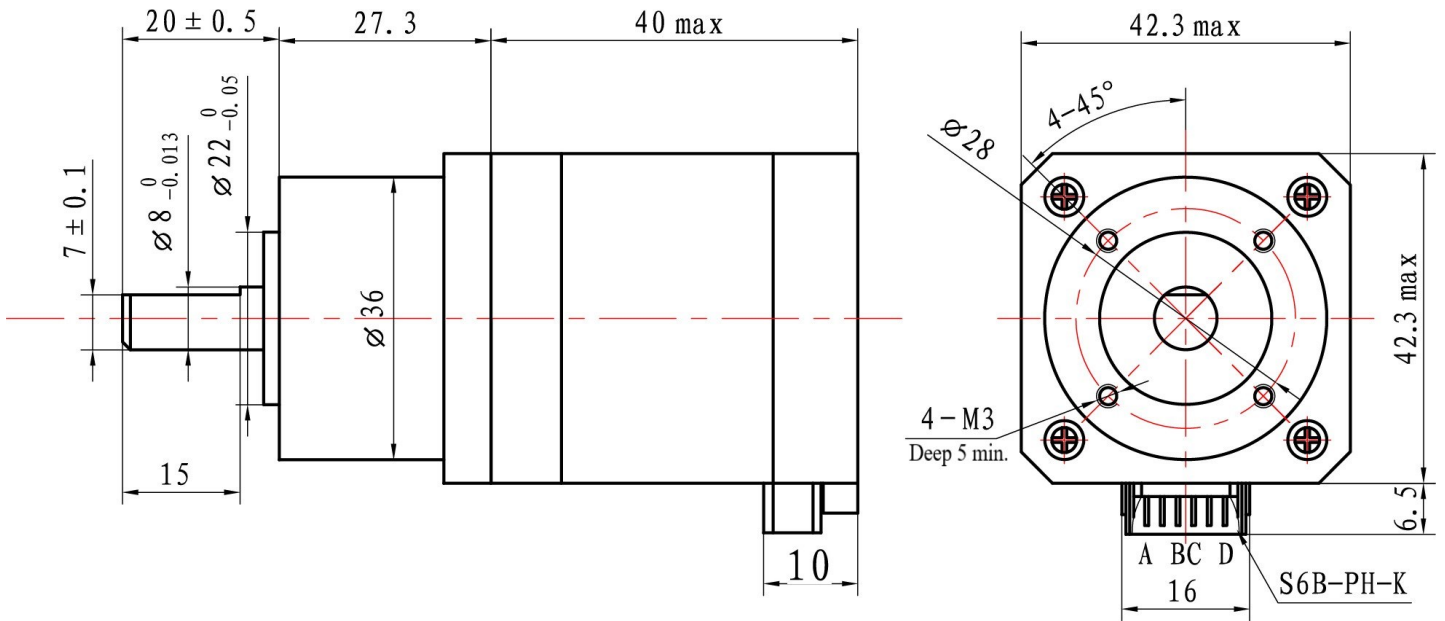
## FURTHER DETAILS

Article No.	NEMA17-05GM
EAN	4250236818788
Customs Tariff No.	8501109990

# NEMA17-05GM

Bipolar Stepper Motor with 5 2/11 : 1 Gear

## DRAWING



## WIRING

