

NEMA23-03

Bipolar Stepper Motor



This NEMA-23 stepper motor suits for your project, anyhow with CNC or robotics, if you're looking for high performance. This motor stands out with its high holding torque of 3 Nm .

KEY FEATURES

Shaft diameter	Ø 7.5 x 32 mm (single shaft)
Specification	57SHD4934-34B
Connection	4 -core cable
Steps per revolution	200
Dimensions	56 x 56 x 101 mm
Items delivered	NEMA23-03 Motor

PERFORMANCE CHARACTERISTICS

Holding Torque	3 Nm
Rated Voltage	8.4 V
Rated Current	3 A
Step Angle	1.8 °
Amount of Phases	2
Phase Resistance	2.8 Ω
Phase Inductivity	4.2 mH
Isolation resistance	Min. 100MΩ at 500 V DC
Isolation class	B (130°)
Rotational Inertia	260 g·cm ²
Detent torque	0,04 Nm
Operating Temperature	-10 °C - 50 °C

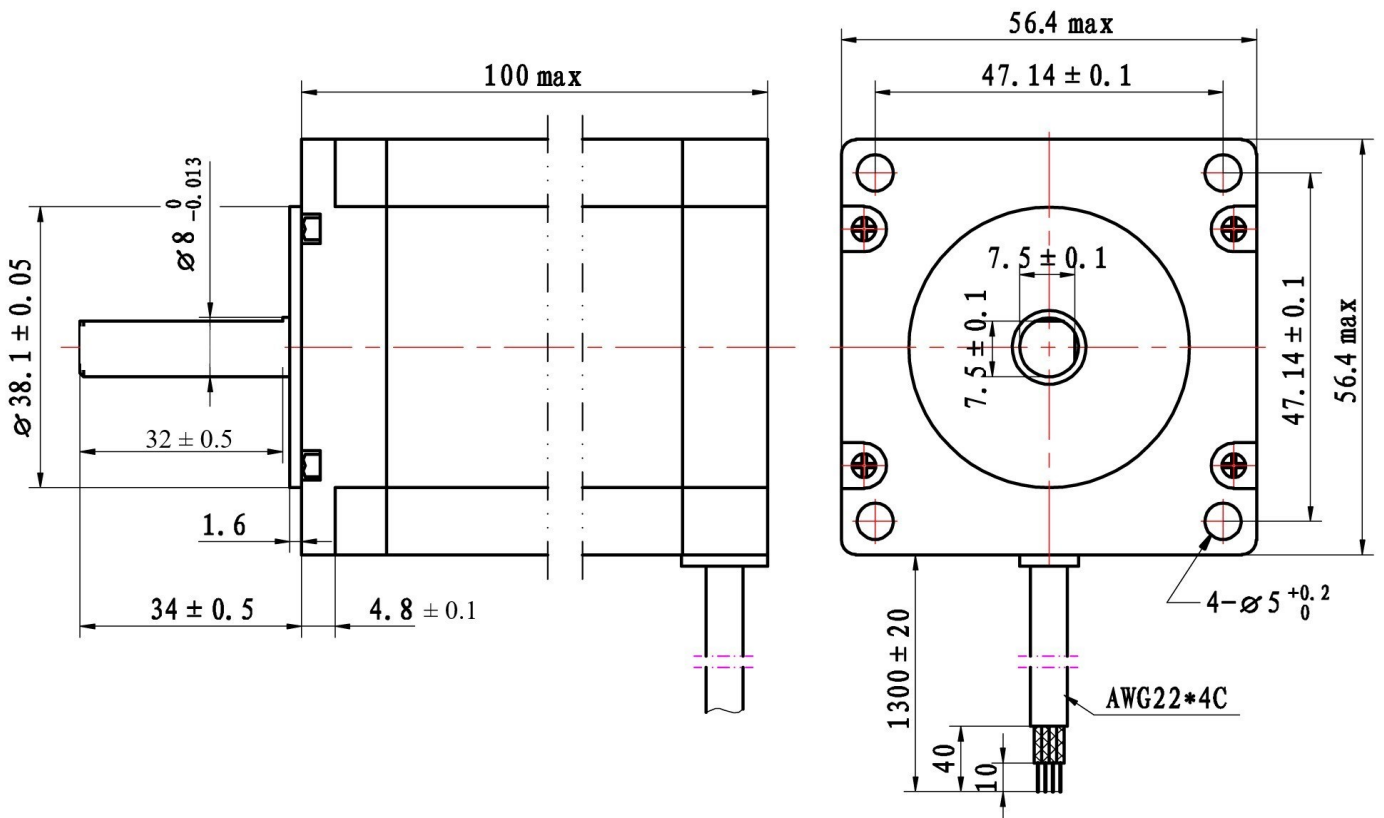
FURTHER DETAILS

Article No.	NEMA23-03
EAN	42502368188801
Customs Tariff No.	8501109990

NEMA23-03

Bipolar Stepper Motor

DRAWING



WIRING

