

NEMA34-01

Bipolar Stepper Motor



This NEMA-34 stepper motor is suitable even for the biggest projects (f. e. CNC-application, robotic, etc.). With its high holding torque of 11 Nm, it can meet higher requirements.

KEY FEATURES

Shaft diameter	Ø 14 x 25 mm (single shaft)
Specification	86SHD4505-37B
Connection	4 jumper cables
Steps per revolution	200
Dimensions	85 x 85 x 150 mm
Items delivered	NEMA34-01 Motor

PERFORMANCE CHARACTERISTICS

Holding Torque	11 Nm
Rated Voltage	5.5 V
Rated Current	5 A
Step Angle	1.8 °
Amount of Phases	2
Phase Resistance	1.1 Ω
Phase inductivity	7.5 mH
Isolation resistance	Min. 100MΩ at 500 V DC
Isolation class	B (130°)
Rotational inertia	3600 g·cm ²
Detent torque	0.32 Nm
Operating Temperature	-10 °C- 50 °C

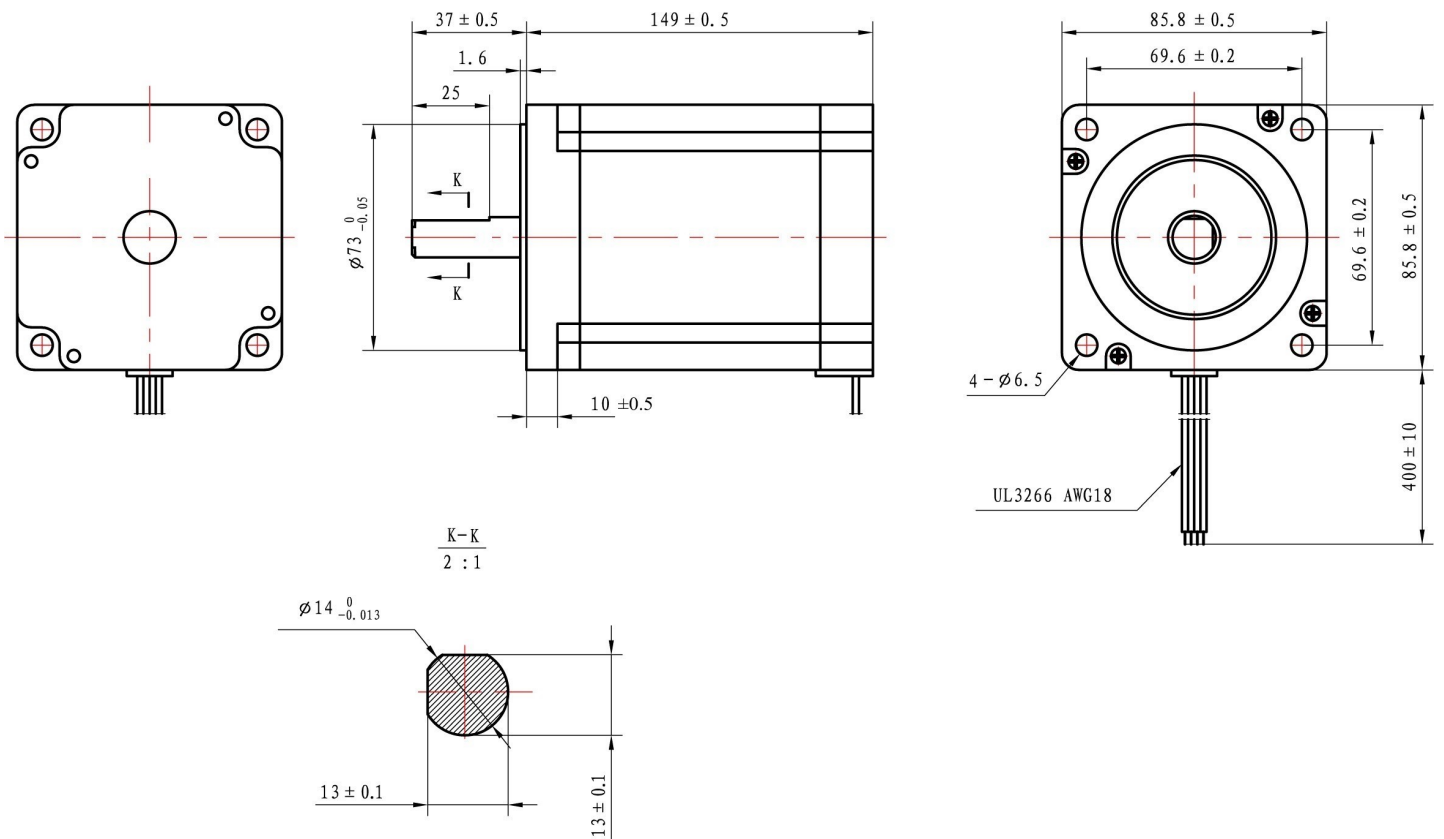
FURTHER DETAILS

Article No.	NEMA34-01
EAN	4250236818825
Customs Tariff No.	8501310099

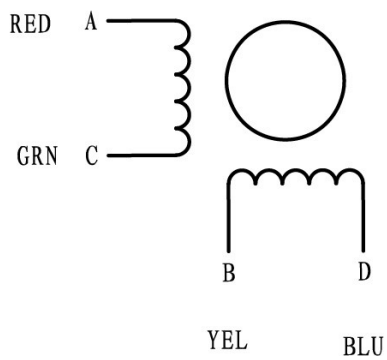
NEMA34-01

Bipolar Stepper Motor

DRAWING



WIRING



Excitation sequence and direction of rotation

PHASE STEP	A	B	C	D
1	+	+	-	-
2	-	+	+	-
3	-	-	+	+
4	+	-	-	+

CW ↓ ↑ CCW

seen from the mounting surface, it is clockwise