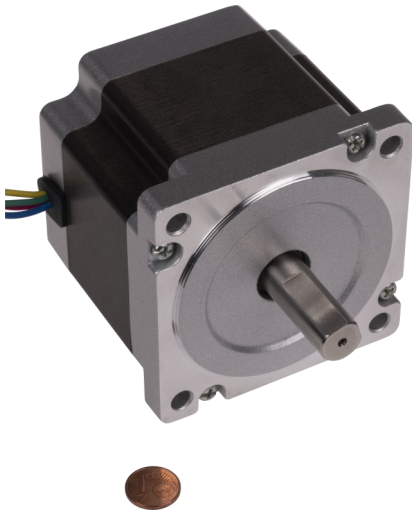


NEMA34 STEPPER MOTOR

NEMA34-02



This NEMA-34 stepper motor is suitable even for the biggest projects (f. e. CNC-application, robotic, etc.). With its high holding torque of 3.8 Nm, it can meet higher requirements.

MAIN FEATURES

Shaft	Ø 14 x 30 mm (double flat spot 13 mm)
Interface connection	4 wire
Dimensions	86 x 86 x 76 mm
Items delivered	NEMA34 stepper motor, connection cable

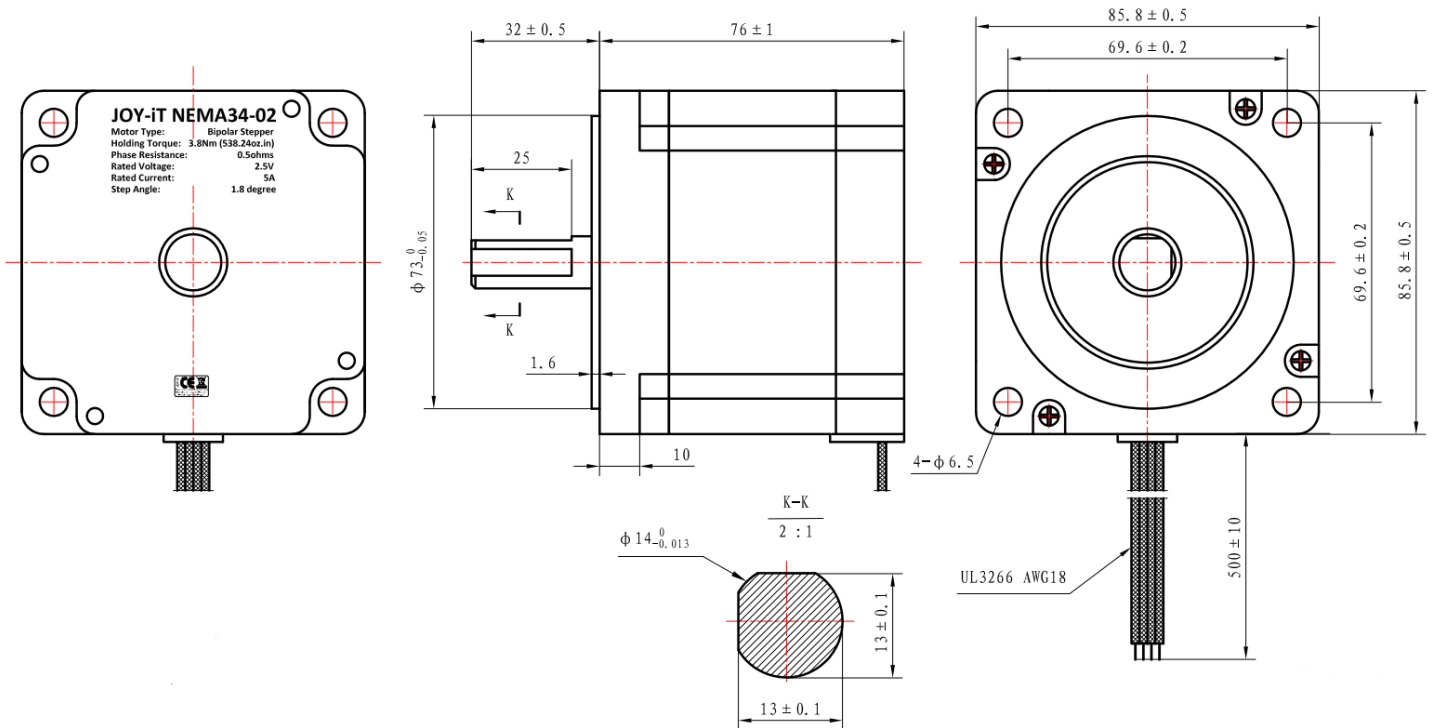
PERFORMANCE SPECIFICATIONS

Holding torque	3.8 Nm
Rated Voltage	2.5 V
Rated Current	5.0 A
Step Angle	1.8 ° ±5 %
No. of Phases	2
Phase Resistance	0.5 Ω
Phase inductivity	2.6 mH
Isolation resistance	100 MΩ min. @500 V DC
Isolation class	B (130 °C)
Rotational inertia	1400 g·cm ²
Detent torque	0.14 Nm
Operating temperature	-10 °C - 50 °C

FURTHER DETAILS

Article No.	NEMA34-02
EAN:	4250236821771
Customs Tariff No.	8501109990

DRAWING



WIRING

