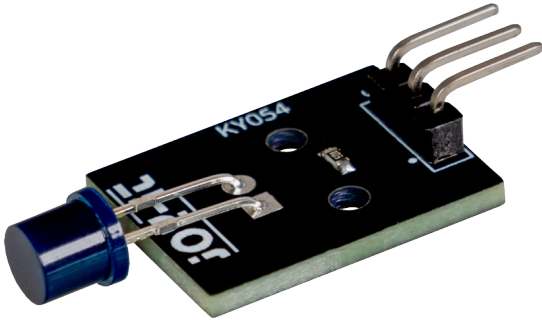


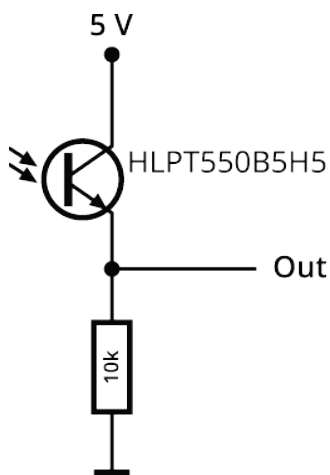
PHOTOTRANSISTOR

in a compact design



The SEN-KY-054 phototransistor is a compact and reliable NPN phototransistor.

It offers fast response times and low susceptibility to interference, making it ideal for applications such as ambient light monitoring, optical encoders and safety solutions. Its design allows easy integration into space-critical systems, and it operates reliably at temperatures from -25°C to +70°C - an ideal choice for precise light detection.



MAIN FEATURES

Model	Phototransistor
Chipset	HLPT550B5H5
Sensor type	analog brightness output
Compatible with	Arduino, Raspberry Pi, Raspberry Pi Pico, micro:bit and more

FURTHER SPECIFICATIONS

Supply voltage	1.8 - 5 V
Output voltage	≤ Supply voltage
Fixed known resistance	10 kΩ
Operating temperature	-25 to 70 °C

FURTHER INFORMATION

Dimensions	28 x 15 x 7 mm
Weight	2 g
Item number	SEN-KY054
EAN	4250236828398
Customs tariff number	90278910