

BUTTON-22A-L-RD

Latching steel microswitch button with red LED light



Our latching steel push button convinces with high-quality materials, protection classes and ergonomics. It is made of stainless steel and meets the protection classes IP67 (dust and water), IK10 (impact) and PA66 (flame). The protection classes, the wide temperature range and the durability make our steel push button suitable for many applications. The steel push button has a bright LED ring (red). Due to the concave design of the surface, there are no sharp edges. The connecting cables and the sockets have different colours and shapes, so that confusion of the push button variants (22A / 22B / 22C) is impossible.

The necessary connection cables, socket, sealing ring and nut are already included in the scope of delivery.

MAIN FEATURES

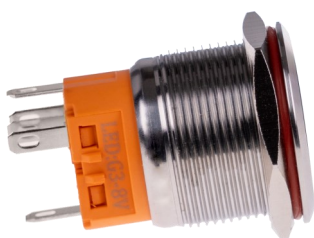
Switch current	3 A
Key and shell material	Stainless steel
Contact material	Silver
Pins material	H65 gold-plated
Key depth	3.1 mm
Operation mode	latching
Protection level	IP67 and IK10
Special feature	high-luminous LED (red)
Dimensions of mounting hole	Ø 22,2 x ≤12 mm
Overall dimensions	Ø 25 x 35 mm
Items delivered	Button, 5x 150 mm cables

FURTHER SPECIFICATIONS

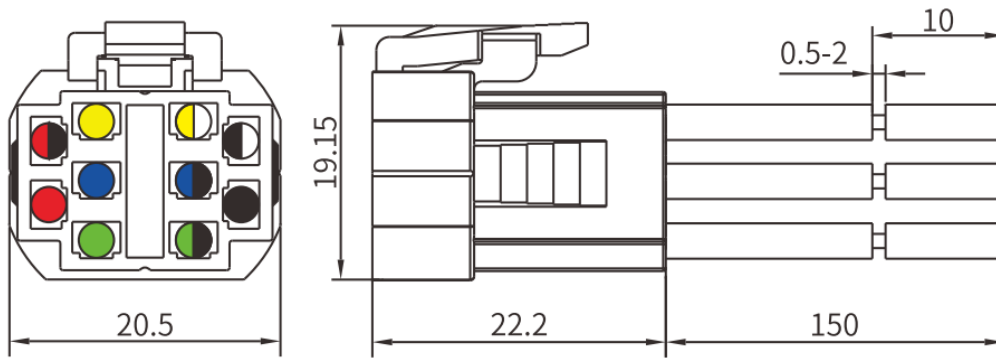
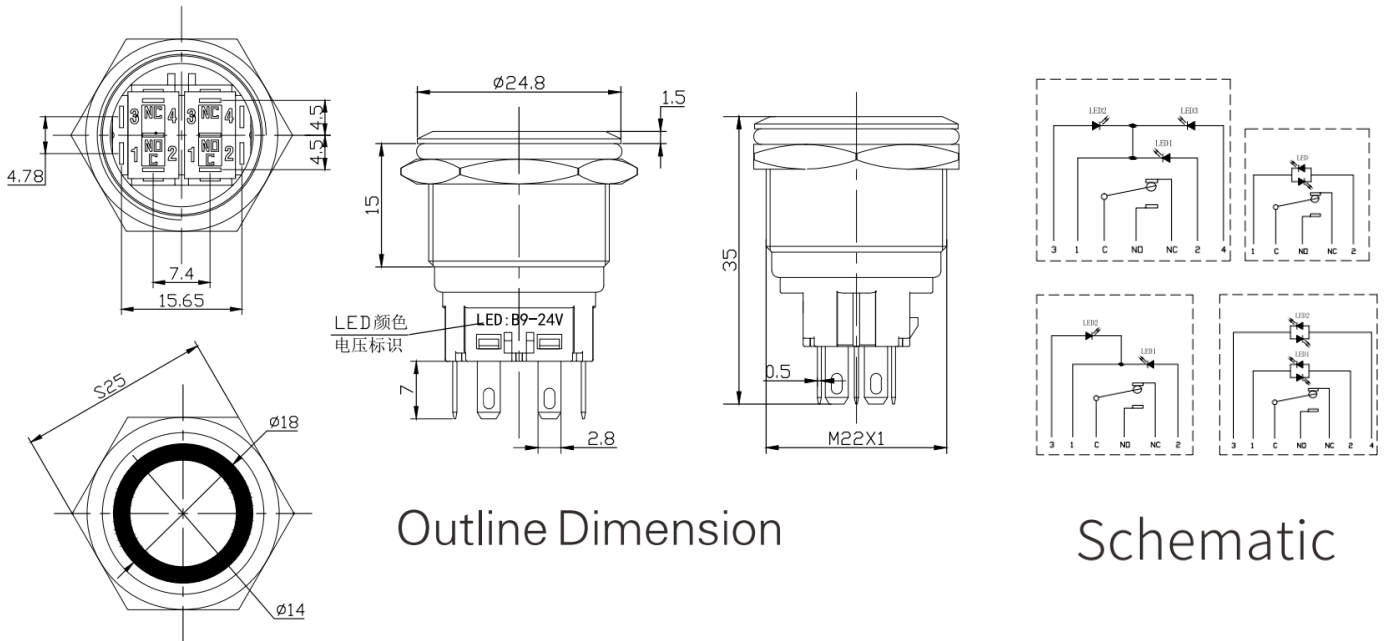
Rated Load	3A/250V resistive current
LED Voltage	3- 8 V DC
LED life	40 000 h
Connector wiring	COM, NO, NC, 2x LED
Insulation resistance	≥ 1000 MΩ
Dielectric strength	1000 VAC min
Contact resistance	≤50 mΩ
Nut torque	5 -14 Nm
Connector material	flame retardant PA66
Environment temperature	-30 - 80°C

FURTHER DETAILS

Article No.	Button22A-L-RD
EAN:	4250236821849
Customs Tariff No.	8473302000



SCHEMATIC DIAGRAM



- LED
 - Bi-color
 - Tri-color
 - NC
 - NO
 - C
- Connector: Cable length: 150mm, 0.5mm²